

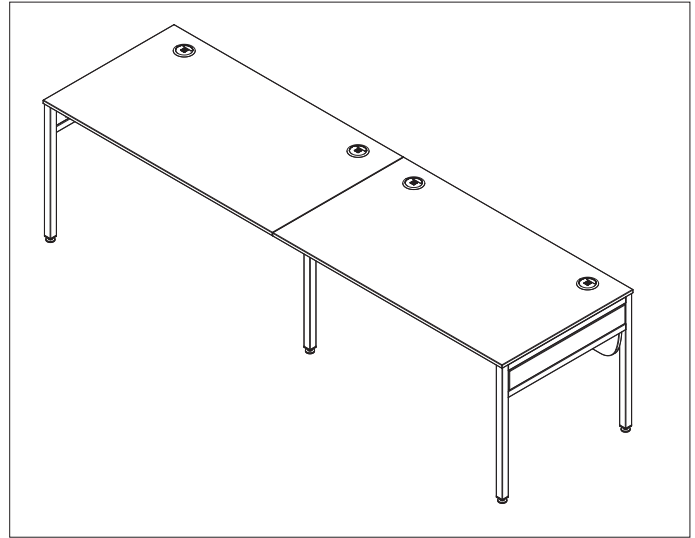


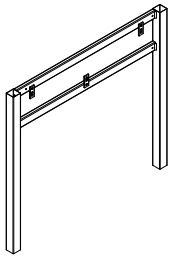


ASSEMBLY INSTRUCTIONS

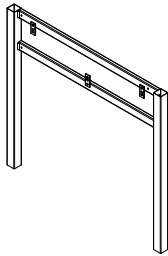
RANGE	Libra Desk.	
REF:	1200, 1400, 1600mm Wide.	
	 Read this leaflet before assembly	 2 People Required



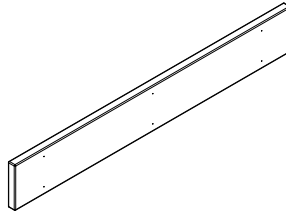
COMPONENT PARTS



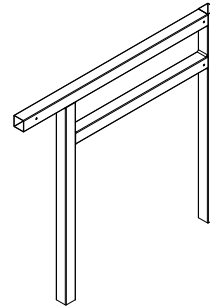
Item 1
M/0834 M/0835
LH End Goalpost



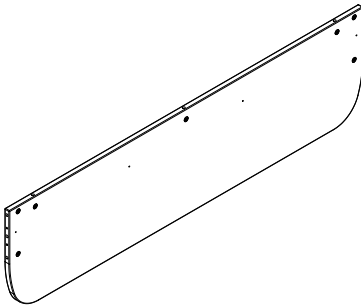
Item 2
M/0832 M/0833
RH End Goalpost



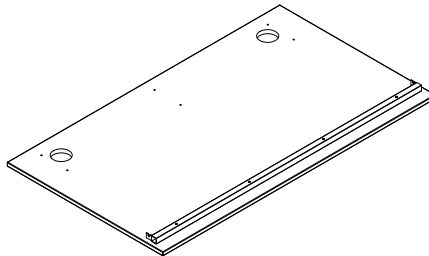
Item 3
NP10_0050
End Goalpost Infill



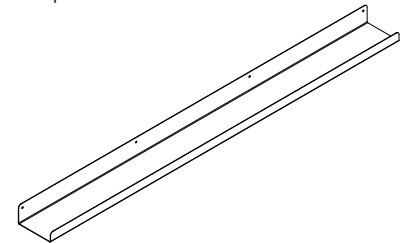
Item 8
M/0830 M/0831
Intermediate Goalpost



Item 9
Modesty Panel




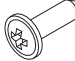
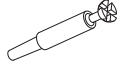
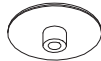

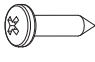


Item 10
Top Panel, Rail Assembly



Item 14
Cable Tray (Optional Item)

FIXINGS

 Item 4 F/0561 M6x10mm Socket Head Screw	 Item 5 F/0655 M6 Lock Washer	 Item 6 F/0433 Minifix Bolt M6	 Item 7 F/0419 5/8" x 8G Posi Flange Black Screw	 Item 11 F0532 Minifix Bolt Chipfast	 Item 12 F.0436, F.0446, F.0545 F.0575, F.0576, F.0577 Cam Cover	 Item 13 A/1165 Cable Port
 Item 15 F/0414 5/8" Pan Posi Bzp Screw						

FIXINGS QUANTITIES BY PACK

Packs	Item 4	Item 5	Item 6	Item 7	Item 11	Item 12	Item 13	Item 15
Desk End Goalposts Double Pack	2	2	2	6				
Bench Intermediate Goalpost Single Pack	2	2	4					
Top, Modesty Panel & Rail Pack (Desk)					3	7	2	
Cable Trays								4

TOOLS REQUIRED

- Pozi head screwdriver
- 5mm Allen key

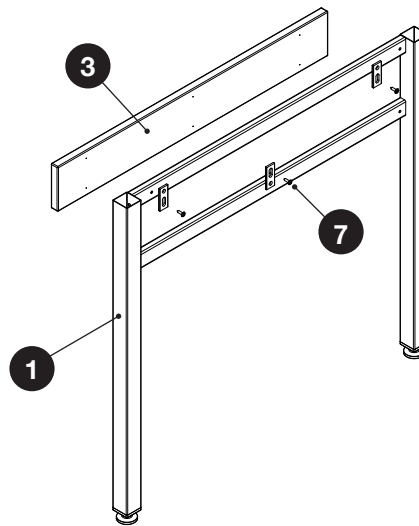
BEFORE YOU BEGIN...

- Check you have all the tools and components required
- Keep children and animals away from small parts
- Ensure you have adequate space
- Assemble product on a flat, clean surface
- Apply manual handling guidelines when building this item

ASSEMBLY INSTRUCTIONS

STEP 1

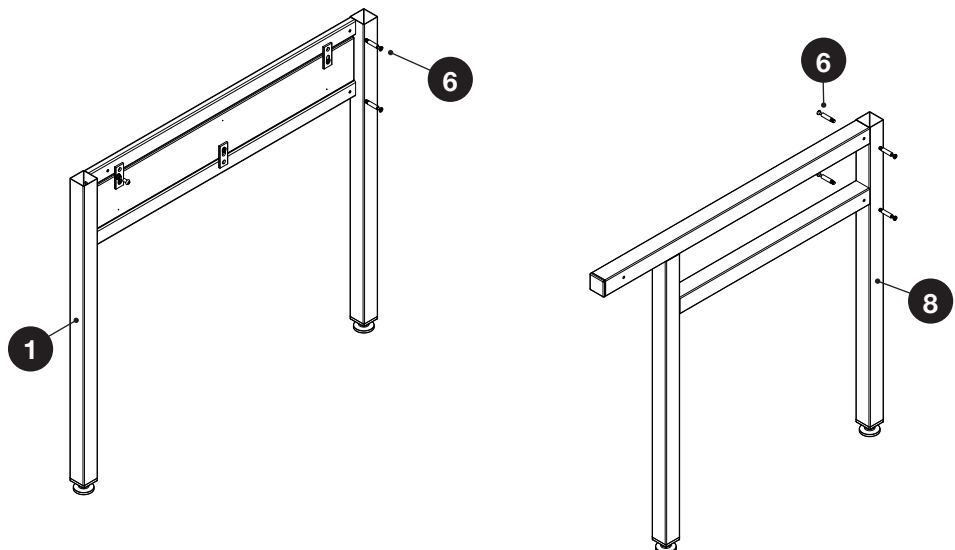
Fit the Infill Panels (3) to the End Goalpost (1,2) using the Black Posi Flange Screws (7). Ensure that there is a 3mm gap all around the Infill Panel.



STEP 2

Screw the Minifix Bolt M6's (6) into the End Goalposts (1,2) and the Intermediate Goalposts (8).

Please note that single desks do not require an Intermediate Goalpost.

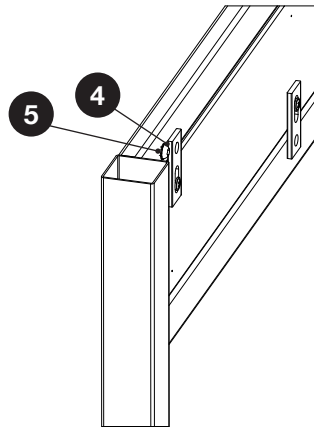


ASSEMBLY INSTRUCTIONS

STEP 3

Ensure that the M6x10mm Socket Head Screw (4) and the M6 Lock Washer (5) are unscrewed as far as possible whilst still being attached to the Goalposts.

This is to allow space for the ends of the Rails on the Top Panel & Rails Assembly (10) to engage with the Goalposts.

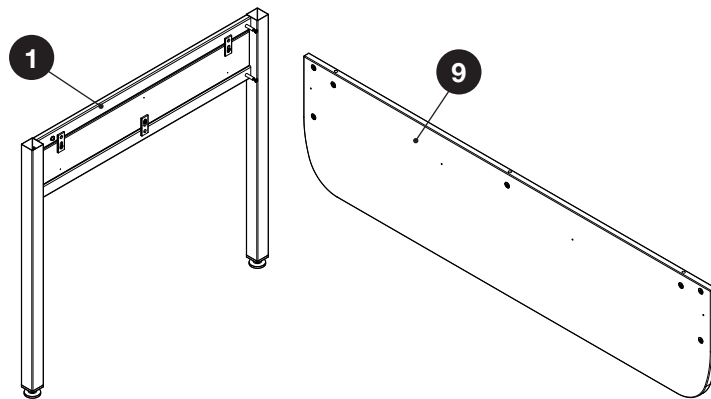


STEP 4

Ensure that the Cams in the Modesty Panel (9) have the moulded-in arrow feature pointing to the edge of the Panel.

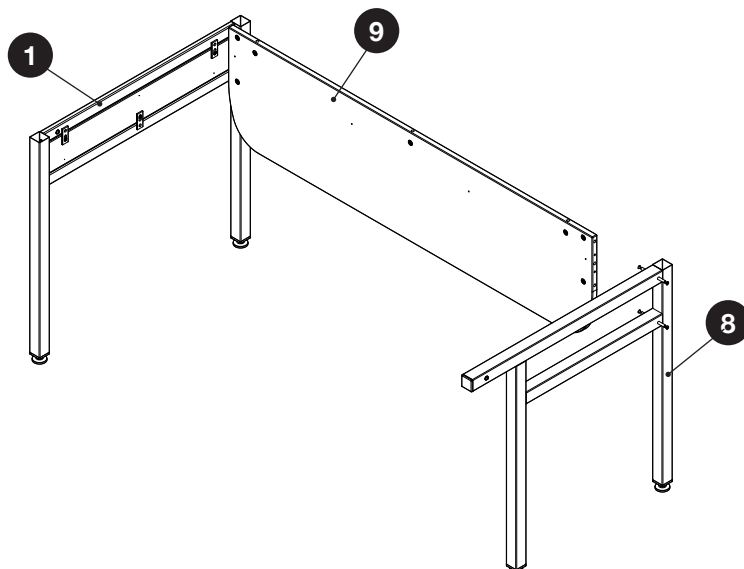
Ensure the Cams face into the space between the Goalposts, as shown. Attach the Modesty Panel (9) to the End Goalpost (1,2).

Fit the panel over the Minifix Bolts M6 (6) and lock the Cams in the Modesty Panel with a half-turn.



STEP 5

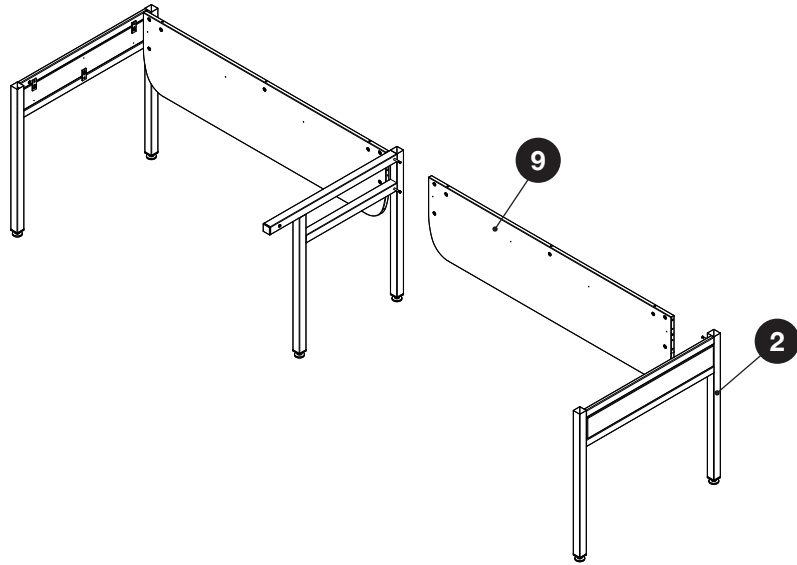
If required, connect the Intermediate Goalpost (8) to the Modesty Panel (9) by engaging the Minifix Bolts M6 (6) into the holes in the Modesty Panels (8). Lock the Cams with a half-turn.



ASSEMBLY INSTRUCTIONS

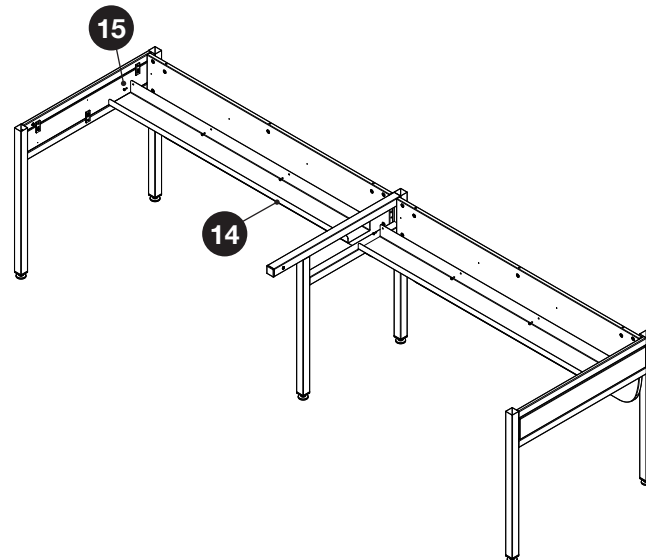
STEP 6

Once the first two Goalposts (1,2) have been connected by Modesty Panels (9) they are freestanding. Extra sections can now be added onto the desk in the same way as described in Steps 4 and 5.



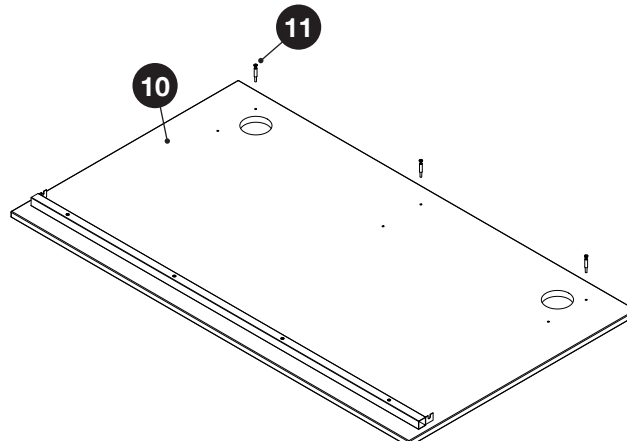
STEP 7

If required, fit the Cable Tray (14) to the Modesty Panel (9), using the 5/8" Pan Posi BZP Screws (15) in the pilot holes.



STEP 8

Screw the Minifix Bolt Chipfasts (11) into the rearmost set of holes in the underside of the Top Panel & Rail Assembly (10).

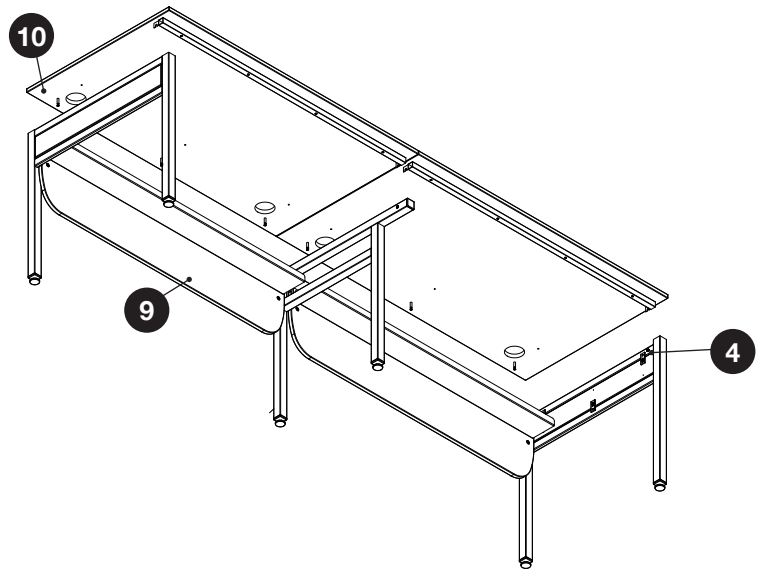


ASSEMBLY INSTRUCTIONS

STEP 9

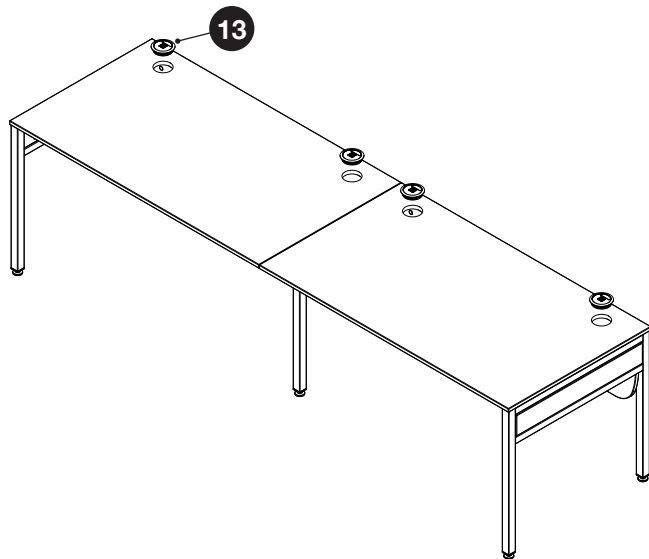
Lower the Top Panel & Rail Assemblies (10) onto the assembled frame. Lock the Cams in the Modesty Panel (9). Tighten up the M6x10mm Socket Head Screws (4) at the front of each Goalpost to lock the Rails into position.

Fit the Cam Covers (12).



STEP 10

Fit the Cable Ports (13) into the Top Panels.



CARE AND MAINTENANCE

Clean using a damp cloth and mild detergent – do not use abrasive cleaners or bleach.