

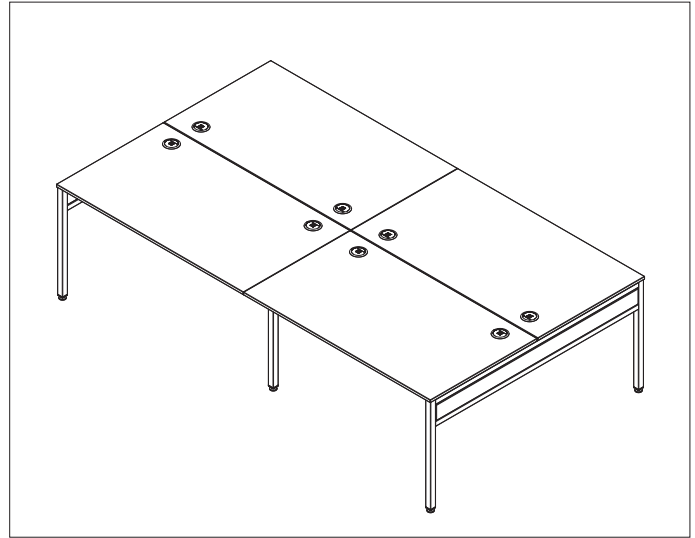


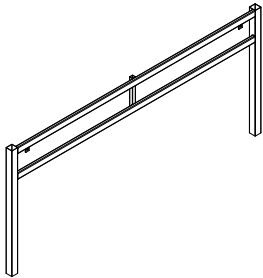


ASSEMBLY INSTRUCTIONS

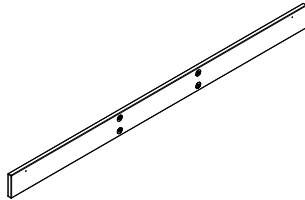
RANGE	Libra Bench.	
REF:	1200, 1400, 1600mm Wide.	
	 Read this leaflet before assembly	 2 People Required



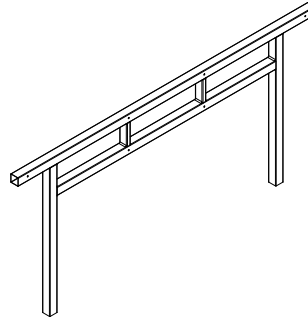
COMPONENT PARTS



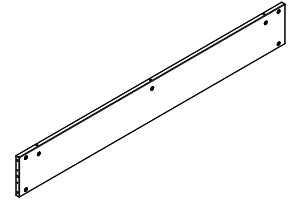
Item 1  
M/0828 M/0829  
End Goal Post



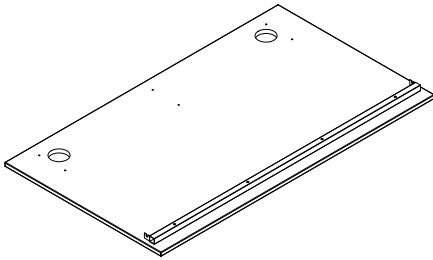
Item 2  
NP10\_0011  
End Goal Post Infill



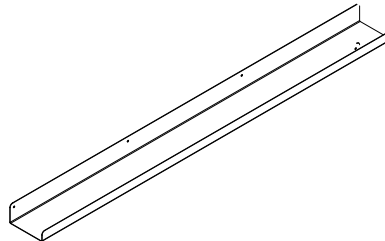
Item 8  
M/0830 M/0831  
Intermediate Goal Post



Item 9  
Modesty Panel




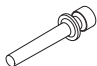
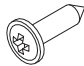
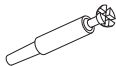
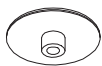

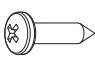


Item 10  
Top Panel & Rail Assembly



Item 14  
Cable Tray (Optional Item)

FIXINGS

 <b>Item 3</b> F/0561 M6x10mm Socket Head Screw	 <b>Item 4</b> F/0655 M6 Lock Washer	 <b>Item 5</b> F/0433 Minifix Bolt M6	 <b>Item 6</b> F/0403 Blum Cam Spigot	 <b>Item 7</b> F/0419 5/8" x 8G Posi Flange Black Screw	 <b>Item 11</b> F0532 Minifix Bolt Chipfast	 <b>Item 12</b> F.0436, F.0446, F.0545 F.0575, F.0576, F.0577 Cam Cover
 <b>Item 13</b> A/1165 Cable Port	 <b>Item 15</b> F/0414 5/8" Pan Posi Bzp Screw					

## FIXINGS QUANTITIES BY PACK

Packs	Item 3	Item 4	Item 5	Item 6	Item 7	Item 11	Item 12	Item 13	Item 15
Bench End Goalposts Double Pack	4	4	8	8	4				
Bench Intermediate Goalpost Single Pack	4	4	8						
Top, Modesty Panel & Rail Pack (Bench)						3	7	2	
Cable Trays									4

## TOOLS REQUIRED

- Pozi head screwdriver
- 5mm Allen key

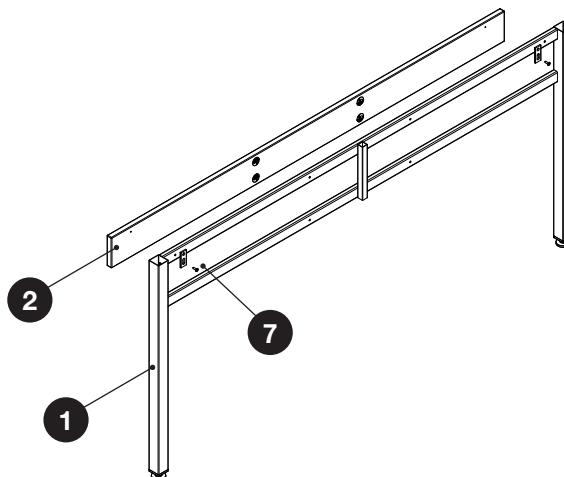
## BEFORE YOU BEGIN...

- Check you have all the tools and components required
- Keep children and animals away from small parts
- Ensure you have adequate space
- Assemble product on a flat, clean surface
- Apply manual handling guidelines when building this item

## ASSEMBLY INSTRUCTIONS

### STEP 1

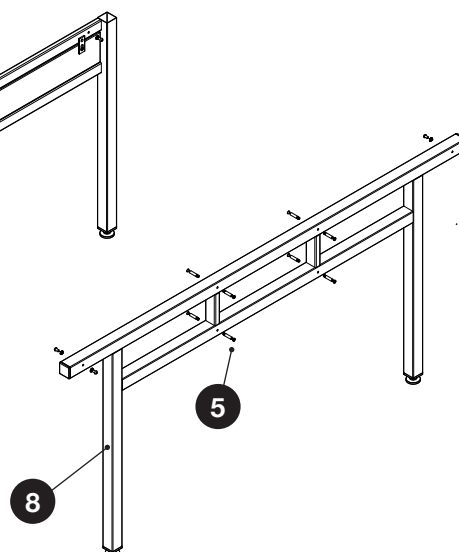
Fit the Infill Panels (2) to the End Goalpost (1) using the Black Posi Flange Screws (7).



### STEP 2

Screw the Minifix Bolt M6's (5) into the End Goalposts (1) and the Intermediate Goalposts (8).

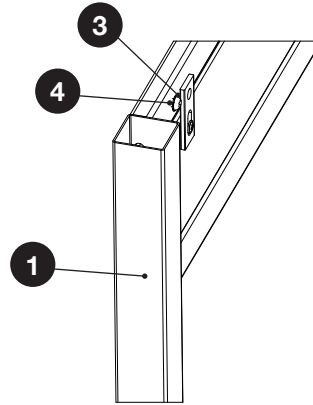
*Please note that 2-person benches do not require an Intermediate Goalpost.*



# ASSEMBLY INSTRUCTIONS

## STEP 3

Ensure that the M6x10mm Socket Head Screw (3) and the M6 Lock Washer (4) are unscrewed as far as possible whilst still being attached to the End Goalposts (1). This is to allow space for the ends of the Rails on the Top Panel & Rails Assembly (10) to engage with the End Goalposts (1).



## STEP 4

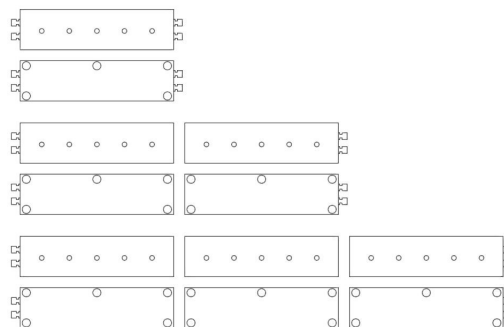
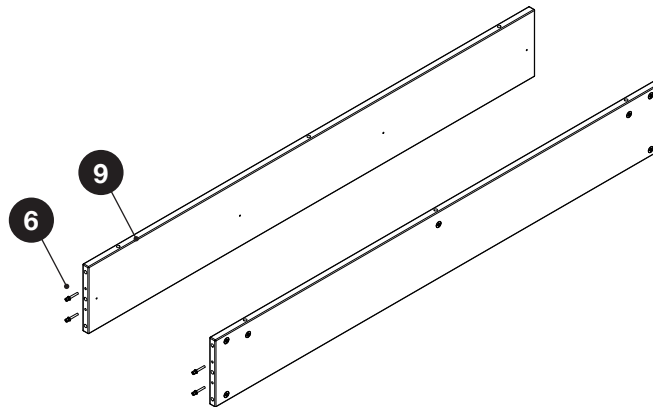
To attach the Modesty Panels (9) to the End Goalposts (1), it is important to ensure that the Spigots (6) are fitted in the correct ends of the Modesty Panels.

For a 2 person bench, Spigots need to go in each end of both Modesty Panels.

For a 4 (or More) person bench, only fit Spigots to those Modesty Panels that will be fitted up to the End Goalposts.

*Note from the image on the right that the Modesty Panels must be installed with the Cams facing outwards (to the user's knees) so the Spigots go on the left on one and the right of the other.*

For a six or more person bench, Modesty Panels between Intermediate Goalposts do not require any Spigots.



Bench of 2: Fit Spigots to both ends of both Modesty Panels.

Bench of 4: Fit Spigots to one end of all 4 Modesty Panels.

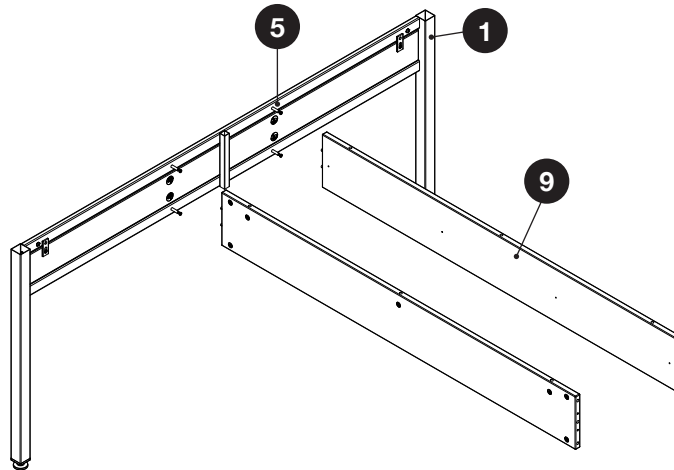
Bench of 6+: Fit Spigots to one end of 4 Modesty Panels only

## ASSEMBLY INSTRUCTIONS

### STEP 5

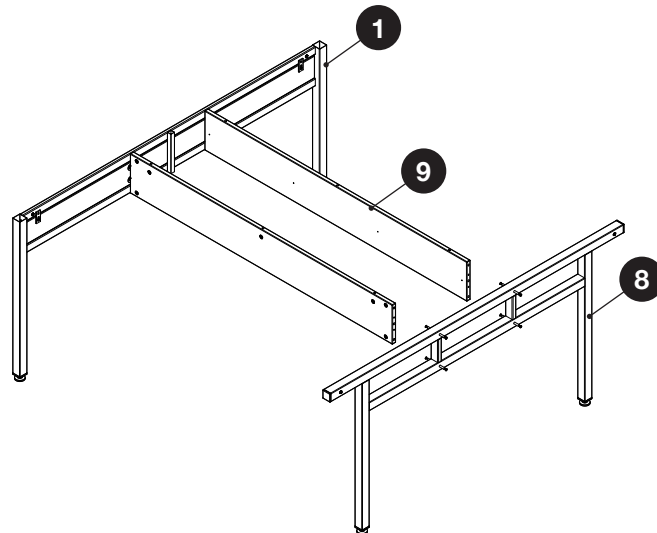
Connect the Goalpost (1) to the Modesty Panels (9). The end of the Modesty Panel (9) with the Blum Cam Spigots (6) fitted to it is the end which fits to the Cams in the infill panels of the End Goalposts (1) as shown.

The Minifix Bolts M6 (5) will fit to holes in the Modesty Panels (9). Lock Cams with a half-turn.



### STEP 6

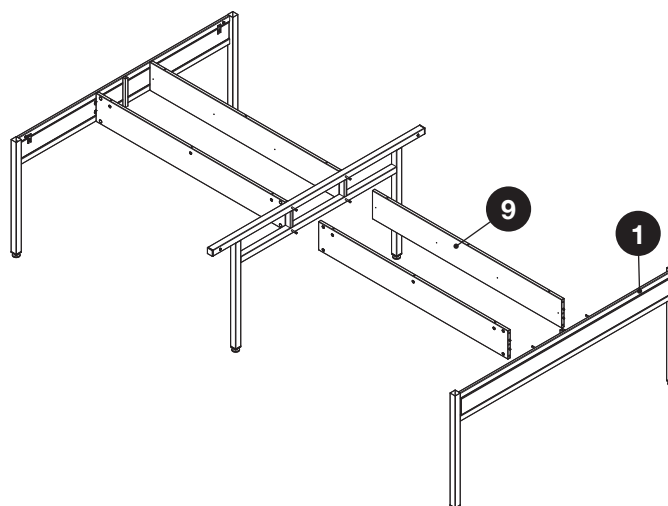
Connect the Intermediate Goalpost (8) to the Modesty Panels (9). The Minifix Bolts M6 (5) in the Intermediate Goalpost line up with holes in the Modesty Panels (9). Once the Minifix Bolt is engaged with the Cam, lock the Cam with a half turn.



### STEP 7

Once the first two Goalposts (1,8) have been connected by Modesty Panels (9) they are freestanding.

Extra sections can now be added onto the bench in the same way as described in Steps 5 and 6.

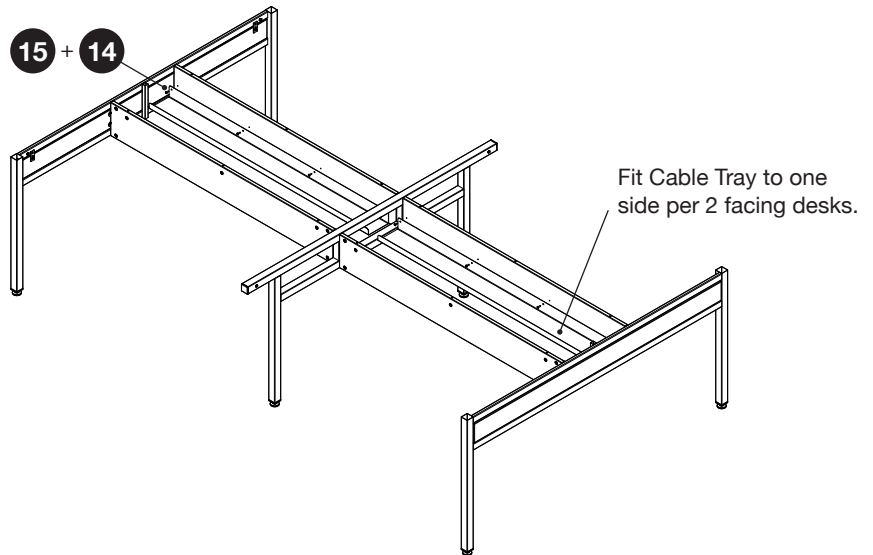


## ASSEMBLY INSTRUCTIONS

### STEP 8

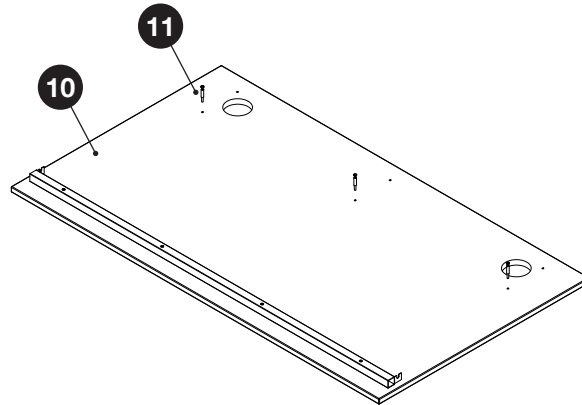
If required, fit the Cable Trays (14) to the Modesty Panels (9), using the 5/8" Pan Posi BZP Screws (15) in the pilot holes.

*Note Cable Trays are fitted to only one Modesty Panel per 2 facing desks.*



### STEP 9

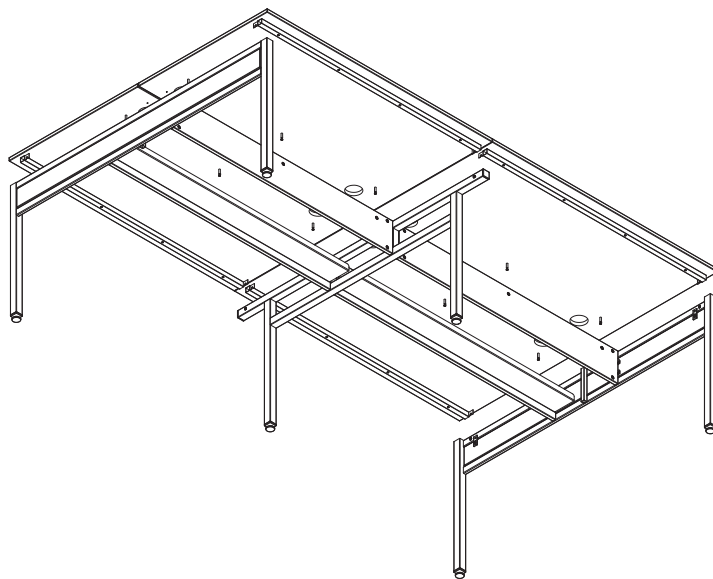
Screw the Minifix Bolt Chipfasts (11) into the second row of holes in the underside of the Top Panel & Rail Assembly (10) as shown.



### STEP 10

Lower the Top Panel & Rail Assemblies (10) onto the assembled frame. Lock the cams in the Modesty Panel (9). Tighten up the M6x10mm Socket Head Screws (3) at the front of each Goalpost to lock the Rails into position.

Fit the Cable Ports (13) to the top panels. Fit the Cam Covers (12).



## CARE AND MAINTENANCE

Clean using a damp cloth and mild detergent – do not use abrasive cleaners or bleach.