

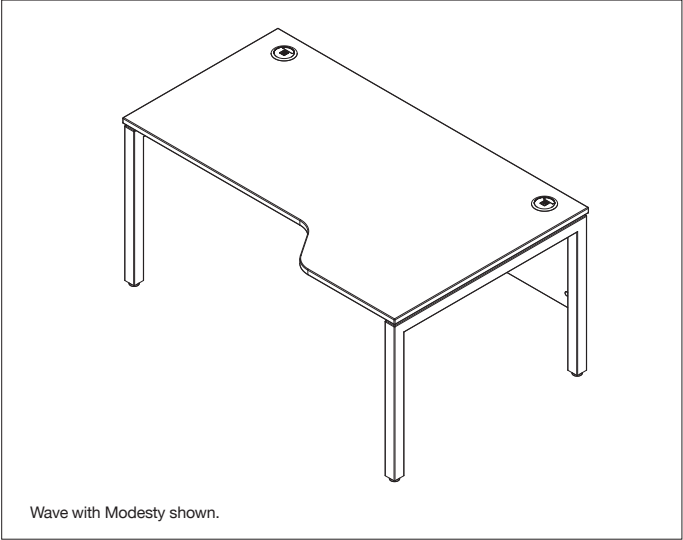


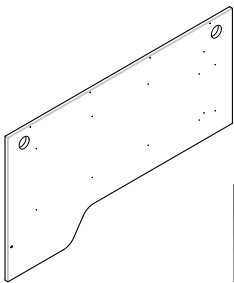


### ASSEMBLY INSTRUCTIONS

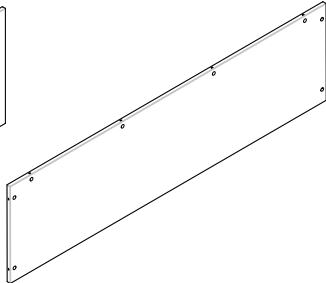
<b>RANGE</b>	Duty, Rectangular and Wave, with and without Modesty.	
<b>REF:</b>	1400mm, 1600mm, 1800mm – Left and Right Hand.	
	 Read this leaflet before assembly	 2 People Required



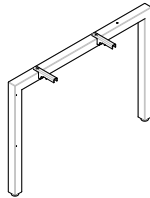
### COMPONENT PARTS



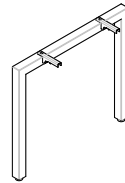
**Item 1**  
Top Panel  
Qty 1  
NP4/990



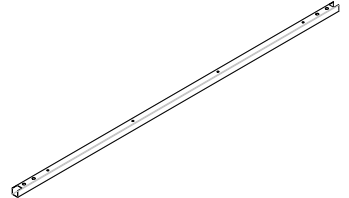
**Item 2 \***  
Modesty Panel  
Qty 1  
NP4/939




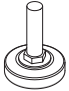
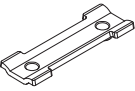
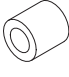

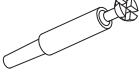
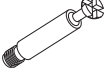

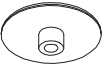
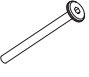
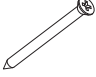
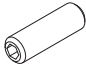

**Item 3**  
GoalPost Frame  
Qty 1  
NP4/937



**Item 4**  
GoalPost Frame  
Qty 1  
NP4/975



**Item 5**  
Rail  
Qty 2  
R.0098

						
<b>Item 6 &amp; 7</b> Cable Port Qty 4 A/0525 & A 0527	<b>Item 8</b> Adjustable Foot Qty 4 M/0655	<b>Item 9</b> Expander Plate Qty 4 A/1164	<b>Item 10 *</b> Modesty Spacer Qty 8 R/0071	<b>Item 11</b> Top Panel Spacer Qty 1 R/0072	<b>Item 12 *</b> Minifix Bolt Chipfast (Long) Qty 4 F/0508	<b>Item 13 *</b> Minifix Bolt M6 Qty 4 F/0433
						
<b>Item 14 *</b> Minifix Cam Qty 8 F/0434	<b>Item 15 *</b> Cam Cover Qty 8 F/0436, F/0446, F/0545, F/0575, F/0576, F/0577	<b>Item 16</b> M6x70mm Flat Hd Skt Bzp Qty 1 F/0471	<b>Item 17</b> Rail Screw Qty 8 F/0587	<b>Item 18</b> Grub Screws M8 Qty 8 F/0637	<b>Item 19</b> 5mm Hole Plugs Qty 4 A/0518, A/0763, F/0546	

\* Desk with Modesty Panel only.

### TOOLS REQUIRED

- Pozi head screwdriver
- 4mm Allen Key

### BEFORE YOU BEGIN...

- Check you have all the tools and components required
- Keep children and animals away from small parts
- Ensure you have adequate space
- Assemble product on a flat, clean surface
- Apply manual handling guidelines when building this item

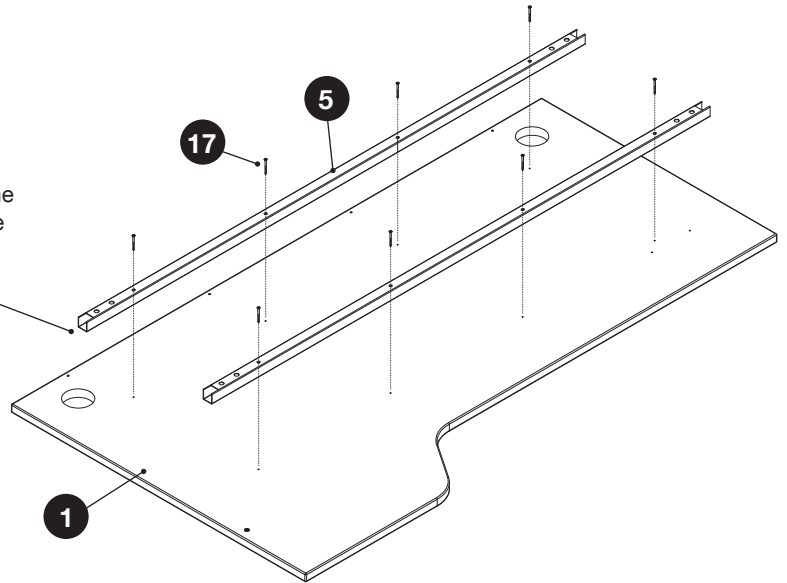
# ASSEMBLY INSTRUCTIONS

## STEP 1

Lay the Top **(1)** upside down on a flat, soft surface. Ensure all holes are free of debris.

Screw the Rails **(5)** onto the Top with Screws **(17)**.

Note the position of the notch in the end of the Rails – for positioning Leg at step 4

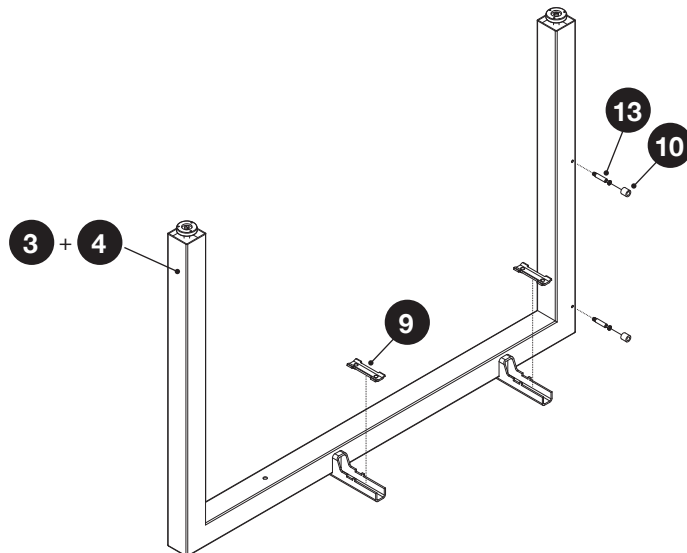


## STEP 2

Prepare the “goalpost” Leg **(3,4)** by placing the Expander Plates **(9)** into the brackets.

If the desk is to have a Modesty Panel, screw the Minifix bolts **(13)** into the holes in the Legs. Place the Spacers **(10)** over the Bolts.

If no Modesty Panel is to be fitted, fill the holes with the 5mm Hole Plugs **(19)**.



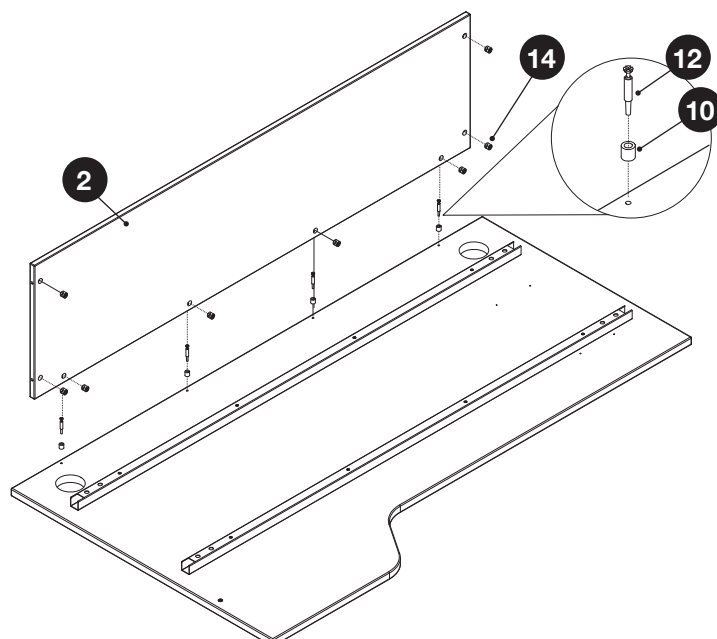
## STEP 3

If your desk is to have a Modesty panel, it needs to be fitted at this step.

Screw the Minifix Bolts **(12)** into the Top. Place the Spacers **(10)** over the Bolts.

Place Cams **(14)** into the Modesty Panel **(2)**. Ensure the arrow on the Cam points towards the edge of the panel.

Carefully place the Modesty Panel over the Bolts/Spacers in the Top. Lock the Cams with just over half a turn.



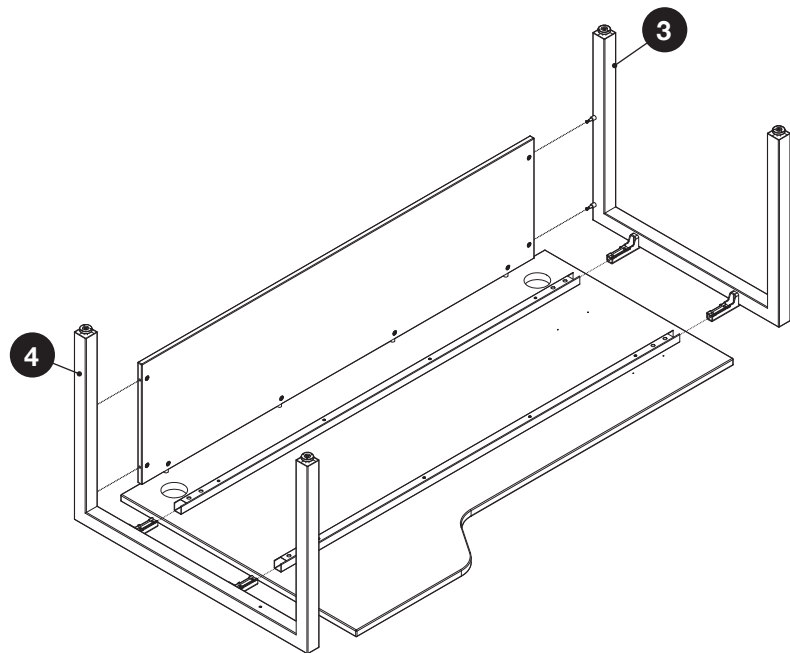
## ASSEMBLY INSTRUCTIONS

### STEP 4

Slide the brackets on the Legs into the open notched ends of the Rails screwed to the Top.

If a Modesty Panel is attached, ensure that the Bolts in the Leg are aligned with the appropriate holes in the Modesty Panel.

Lock the Cams with just over half a turn.



### STEP 5

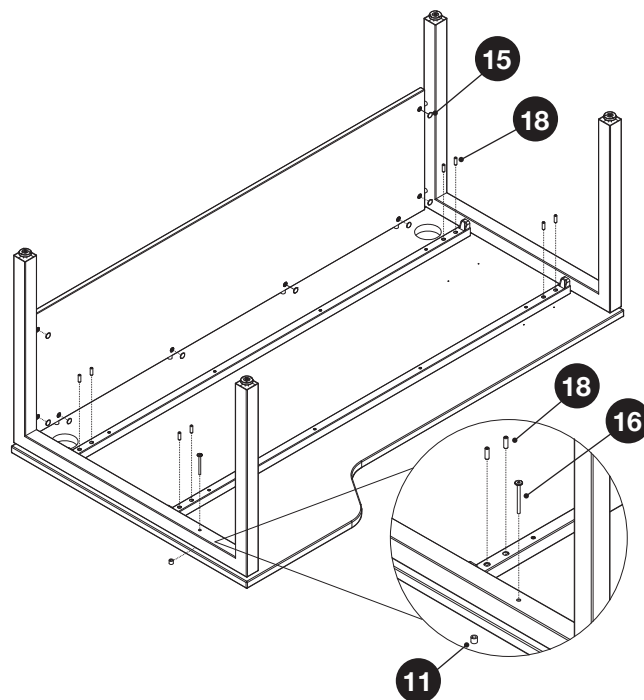
Screw the Grub Screws (18) into the Expander Plate through the hole in the Rail. Do Not tighten the Grub Screws yet.

Place the Spacer (11) between the Top and the longest Leg and align it with the hole near the front upright.

Screw Socket Head Bolt (16) through the Leg and Spacer into the Top.

Tighten the Grub Screws until the Expander Plate is pushed tight to the inside of the Rail. Tighten the Socket Head Bolt.

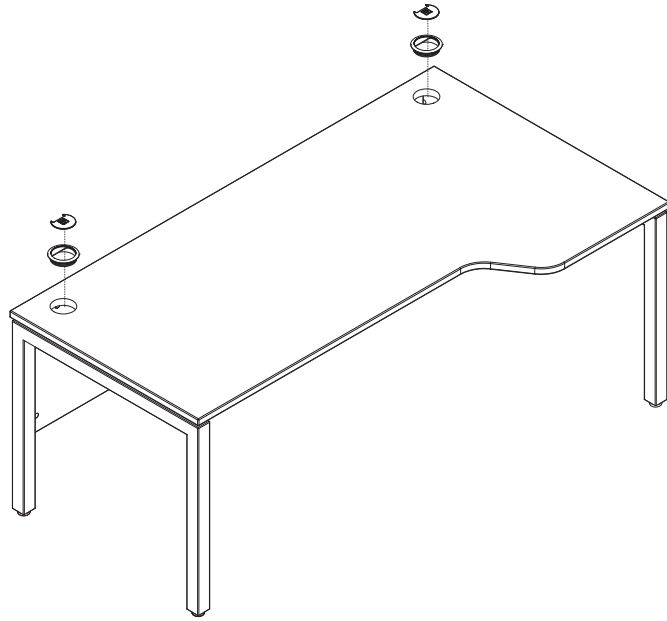
Fit the Cam Cover Caps (15).



## ASSEMBLY INSTRUCTIONS

### STEP 6

Carefully turn the Desk upright.  
Fit the Cable Ports **(6)** and Covers **(7)**.  
Adjust the Feet to level the Desk.



## CARE AND MAINTENANCE

Clean using a damp cloth and mild detergent – do not use abrasive cleaners or bleach.