

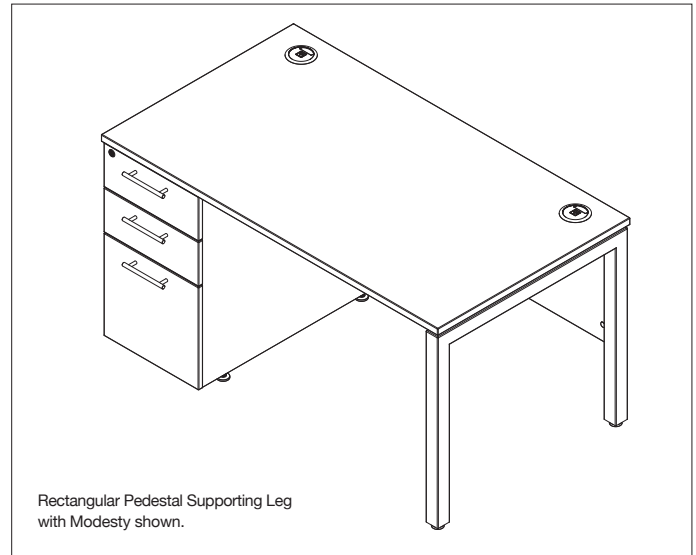




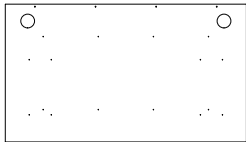
ASSEMBLY INSTRUCTIONS

<b>RANGE</b>	Duty, Rectangular and Wave Pedestal Supporting Leg, with and without Modesty.	
<b>REF:</b>	1400mm, 1600mm, 1800mm – Left and Right Hand.	
	 Read this leaflet before assembly	 2 People Required

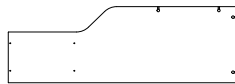


Rectangular Pedestal Supporting Leg with Modesty shown.

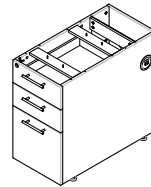
COMPONENT PARTS



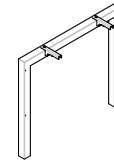
**Item 1**  
Top Panel  
Qty 1  
NP4/884



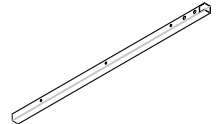
**Item 2 \***  
Modesty Panel  
Qty 1  
NP4/1002




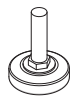
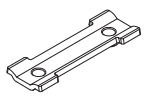
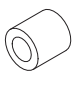
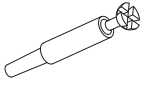
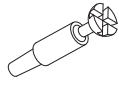
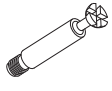
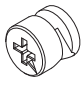
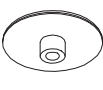

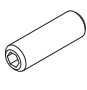

**Item 3**  
Pedestal  
Qty 1  
NP4/1021



**Item 4**  
GoalPost Frame  
Qty 1  
NP4/938



**Item 5**  
Rail  
Qty 2  
NP4/997

 <b>Item 6 &amp; 7</b> Cable Port Qty 4 A/0525 & A 0527	 <b>Item 8</b> Adjustable Foot Qty 2 M/0655	 <b>Item 9</b> Expander Plate Qty 2 A/1164	 <b>Item 10 *</b> Modesty Spacer Qty 4 R/0071	 <b>Item 11</b> Minifix Bolt Chipfast (Long) Qty 2 F/0508	 <b>Item 12 *</b> Minifix Bolt Chipfast (Short) Qty 4 F/0417	 <b>Item 13 *</b> Minifix Bolt M6 Qty 2 F/0433
 <b>Item 14 *</b> Minifix Cam Qty 4 F/0434	 <b>Item 15 *</b> Cam Cover Qty 4 F/0436, F/0446, F/0545, F/0575, F/0576, F/0577	 <b>Item 16</b> Rail Screw Qty 6 F/0587	 <b>Item 17</b> Grub Screws M8 Qty 4 F/0637	 <b>Item 18</b> 5mm Hole Plugs Qty 2 A/0518, A/0763, F/0546		

\* Desk with Modesty Panel only.

TOOLS REQUIRED

- Pozi head screwdriver
- 4mm Allen Key

BEFORE YOU BEGIN...

- Check you have all the tools and components required
- Keep children and animals away from small parts
- Ensure you have adequate space
- Assemble product on a flat, clean surface
- Apply manual handling guidelines when building this item

# ASSEMBLY INSTRUCTIONS

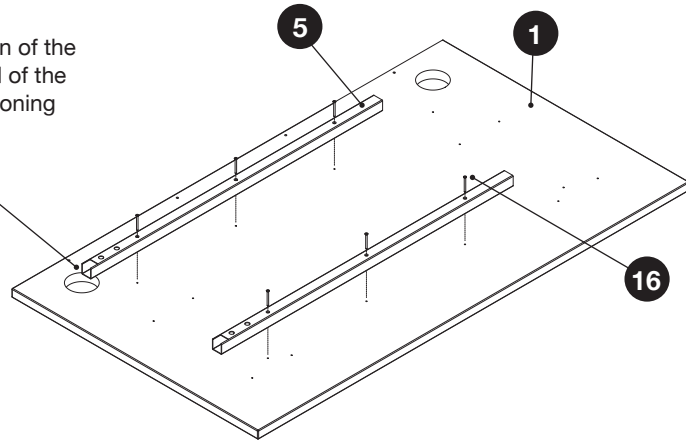
## STEP 1

Lay the Top **(1)** upside down on a flat, soft surface.  
Ensure all holes are free of debris.

Lay the Rails **(5)** on the Top to suit the hand of the desk being assembled. The image shows a product that will have the pedestal on the left hand side of the assembled desk.

Screw the Rails **(5)** onto the Top with Screws **(16)**.

Note the position of the notch in the end of the Rails – for positioning Leg at step 4.

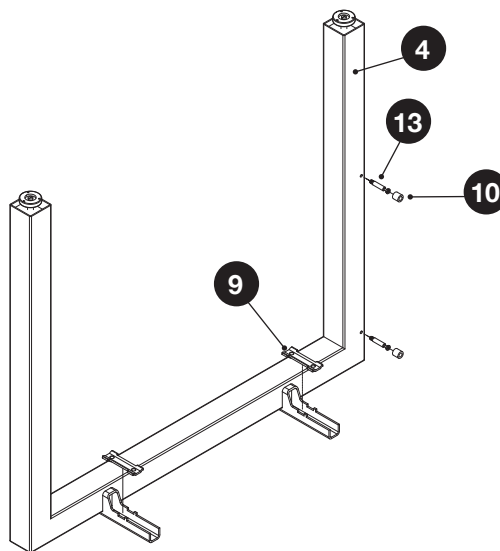


## STEP 2

Prepare the Goalpost Legs **(4)** by placing the Expander Plates **(9)** into the brackets.

If the desk is to have a Modesty Panel, screw the Minifix bolts **(13)** into the holes in the Legs. Place the Spacers **(10)** over the Bolts.

If no Modesty Panel is to be fitted, fill the holes with the 5mm Hole Plugs **(18)**.



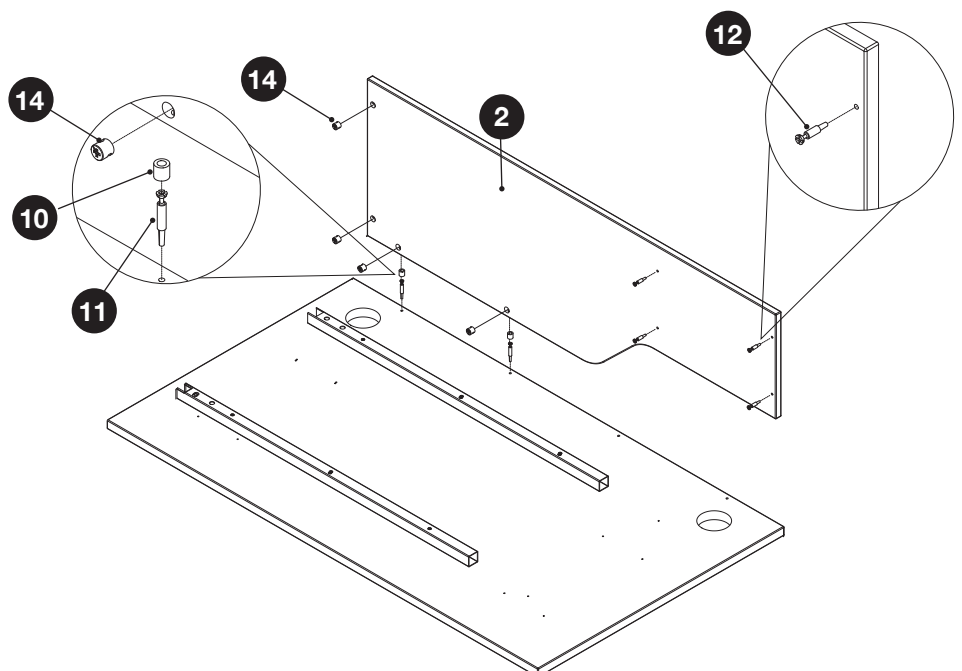
## STEP 3

If the desk is to have a Modesty Panel, it needs to be fitted at this step. Screw the Minifix Bolts **(11)** into the Top. Place the Spacers **(10)** over the Bolts.

Screw Minifix Bolts **(12)** into the holes in the Modesty Panel **(2)**.

Place Cams **(14)** in the holes in the Modesty Panel. Ensure the arrow on the Cam points towards the edge of the panel.

Carefully place the Modesty Panel over the Bolts/Spacers in the Top. Lock the Cams with just over half a turn.



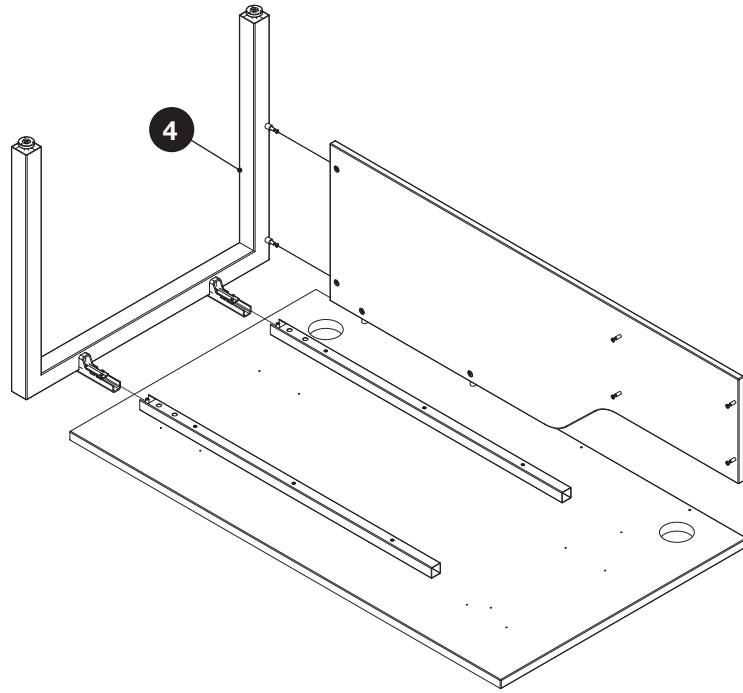
## ASSEMBLY INSTRUCTIONS

### STEP 4

Slide the brackets on the Legs into the open notched ends of the Rails screwed to the Top.

If a Modesty Panel is attached, ensure that the Bolts in the Leg are aligned with the appropriate holes in the Modesty Panel.

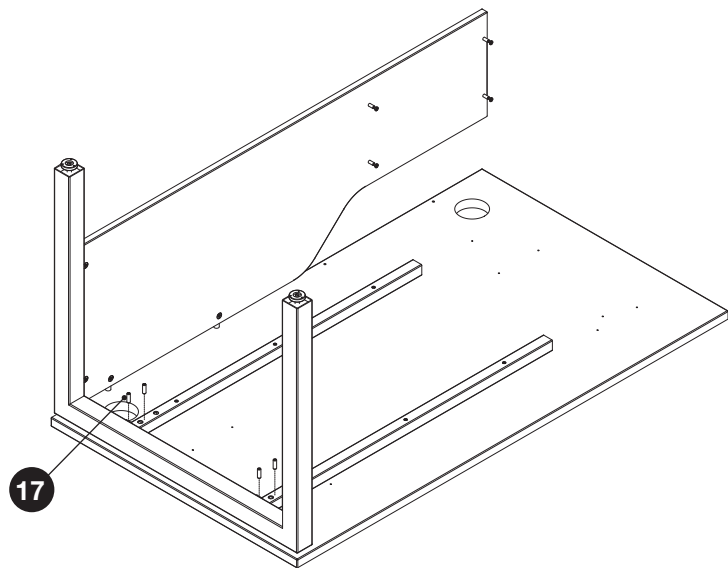
Turn the Cams just over half a turn until they are locked.



### STEP 5

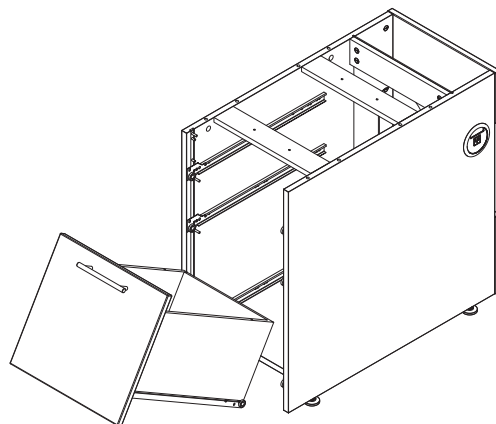
Screw the Grub Screw (17) into the Expander Plate through the hole in the Rail.

Tighten the Grub Screws until the Expander Plate is pushed tight to the inside of the Rail.



### STEP 6

Remove the Drawers from the Pedestal.



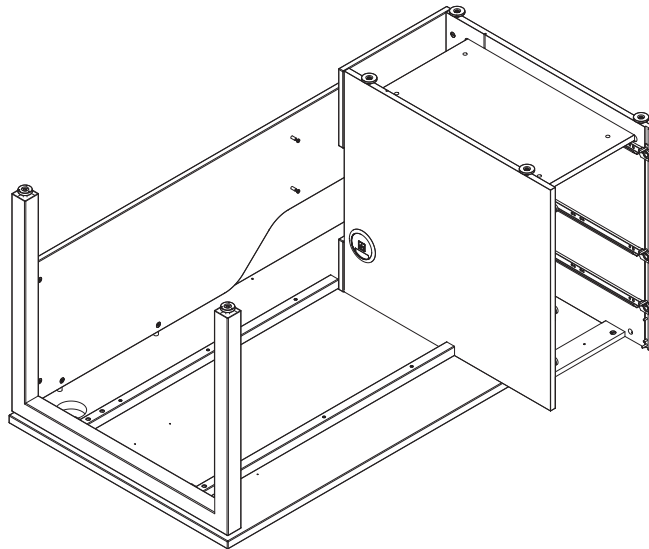
## ASSEMBLY INSTRUCTIONS

### STEP 7

Turn the Pedestal upside-down.  
Put the top face (with 2 cross braces) onto the underside of the Top.

Carefully slide the pedestal back to the Modesty Panel aligning the 4 Bolts in the Modesty Panel with the matching holes in the Pedestal side panels.

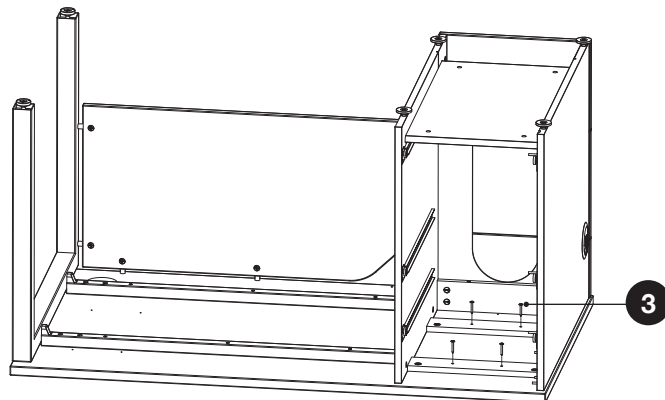
Lock the Cams with just over half a turn.



### STEP 8

Align the holes in the two flat brace strips in the Pedestal with matching holes in the Top.

Screw the Pedestal to the Top with Screws (3).

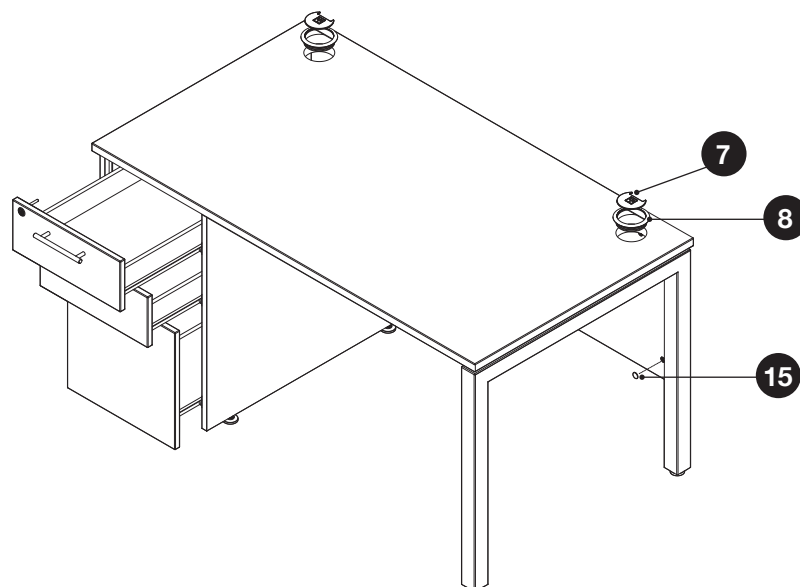


### STEP 9

Carefully turn the Desk upright.  
Put the drawers back into the Pedestal.

Fit the Cable Ports (8) and Covers (7).

Adjust the Feet to level the Desk.  
Fit the Cam Cover Caps (15).



## CARE AND MAINTENANCE

Clean using a damp cloth and mild detergent – do not use abrasive cleaners or bleach.