

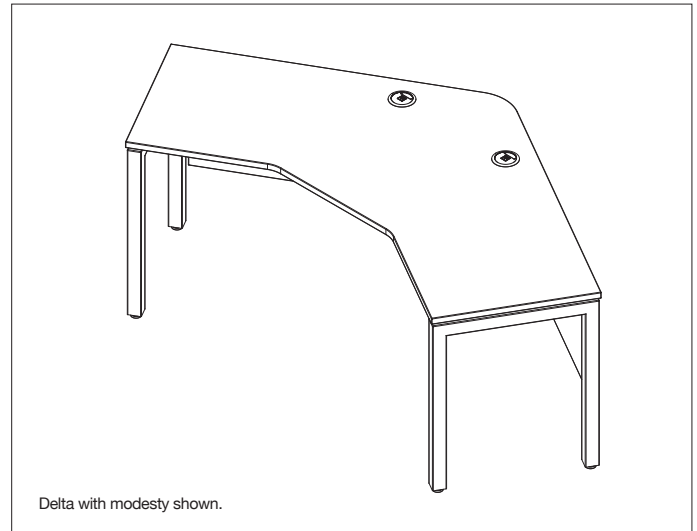




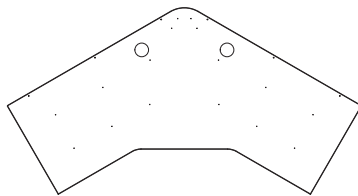
ASSEMBLY INSTRUCTIONS

RANGE	Duty, Delta with and without Modesty	
REF:	1200mm	
	 Read this leaflet before assembly	 2 People Required

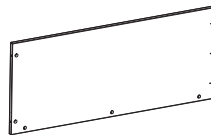


Delta with modesty shown.

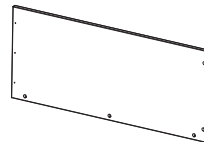
COMPONENT PARTS



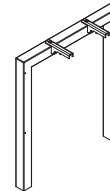
Item 1
Top Panel
Qty 1



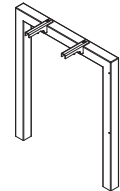
Item 2 *
Delta Mod Panel LH
Qty 1



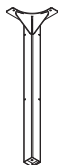
Item 3 *
Delta Mod Panel RH
Qty 1



Item 4
GoalPost Frame RH
Qty 1



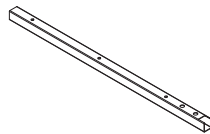
Item 5
GoalPost Frame LH
Qty 1



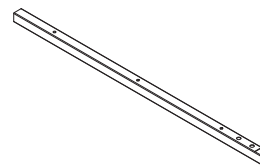
Item 6
Back Corner Leg
Qty 1




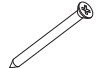
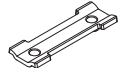
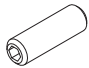
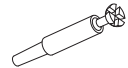

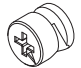
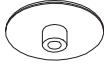
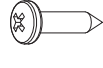


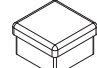

Item 7 *
Delta Back Leg
Bracket
Qty 2



Item 21
Short Rail
Qty 2



Item 22
Rail
Qty 2

						
Item 8 & 9 Cable Port Qty 4 A/0525 & A/0527	Item 11 Rail Screw Qty 12 F/0587	Item 12 Expander Plate Qty 4 A/1164	Item 13 Grub Screws M8 Qty 8 F/0637	Item 14 * Minifix Bolt Chipfast 34 x 15 Qty 8 F/0508	Item 15 * Minifix M6 Qty 4 F/0433	Item 16 * Minifix Alloy Cams 18mm Qty 10 F/0434
						
Item 17 * Cam Cover Qty 10 F/0436 F/0446 F/0545 F/0575 F/0576 F/0577	Item 18 5/8" x 8g Pan Pozi BZP Qty 10 F/0414	Item 19 * Modesty Panel Spacer Qty 10 R/0071	Item 20 * 12mm X M6 Mushroom Head Bolt Qty 4 F/0441	Item 23 Rail Bung For Delta Desks Qty 4 NP4/1177	Item 24 5mm Hole Plugs Qty 4 A/0518, A/0763, F/0546	

* Desk with Modesty Panel only.

TOOLS REQUIRED

- Pozi head screwdriver
- 4mm Allen Key

BEFORE YOU BEGIN...

- Check you have all the tools and components required
- Keep children and animals away from small parts
- Ensure you have adequate space
- Assemble product on a flat, clean surface
- Apply manual handling guidelines when building this item

ASSEMBLY INSTRUCTIONS

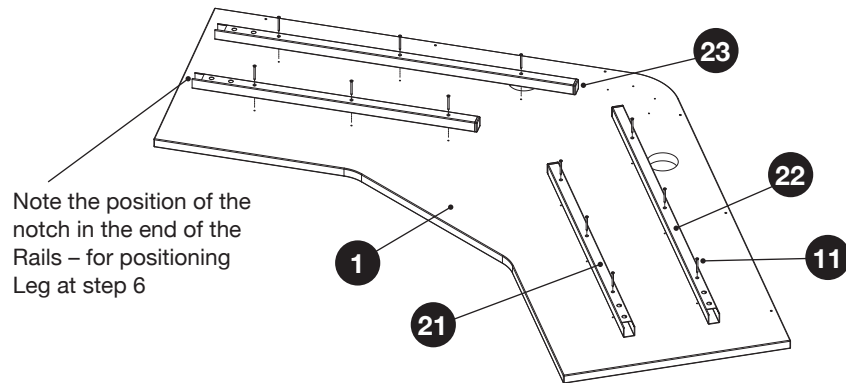
STEP 1

Lay the Top **(1)** upside down on a flat, soft surface. Ensure all holes are free of debris.

Lay the Rails **(21)** and **(22)** on the Top. The shorter Rails are nearest the front of the desk.

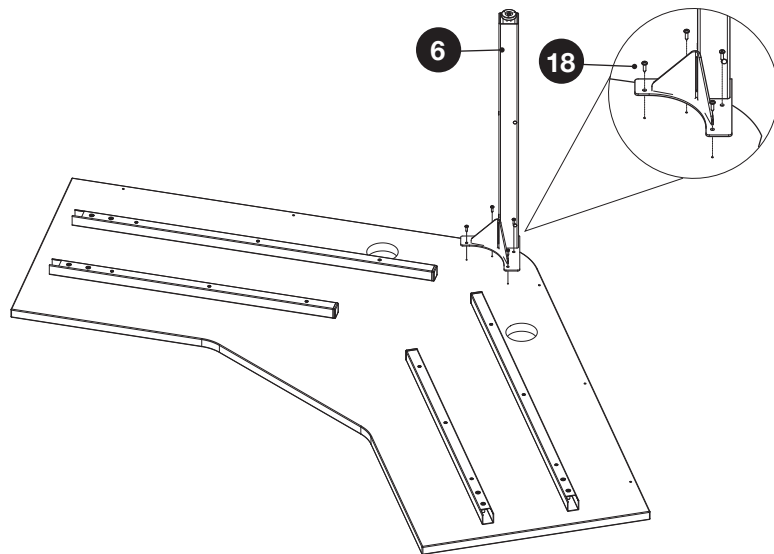
Screw the Rails onto the Top with Screws **(11)**.

Add Bungs **(23)** to the ends of the rails near the middle of the top.



STEP 2

Screw the Back Corner Leg **(6)** to the Top with Screws **(18)**.

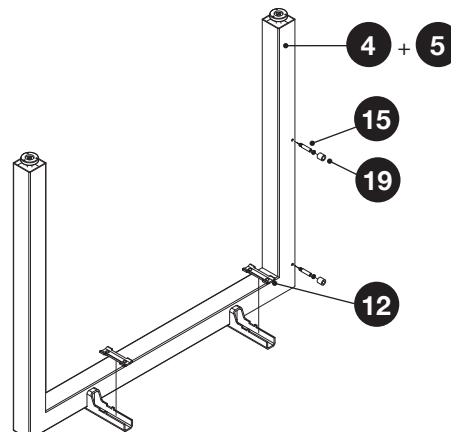


STEP 3

Prepare the “goalpost” Legs **(4,5)** by placing the Expander Plates **(12)** into the brackets.

If the desk is to have a Modesty Panel, screw the Minifix bolts **(15)** into the holes in the Legs. Place the Spacers **(19)** over the Bolts.

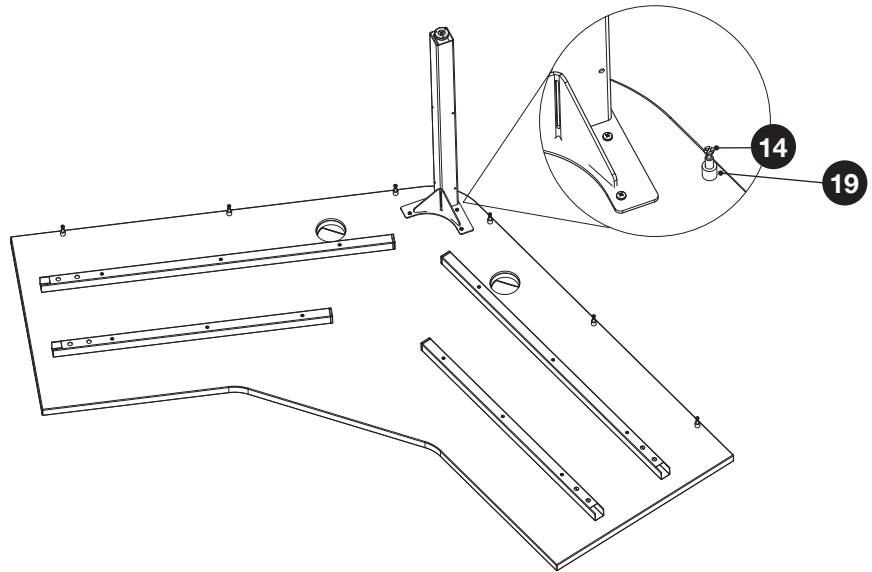
If no Modesty Panel is to be fitted, fill the holes with the 5mm Hole Plugs **(24)**.



ASSEMBLY INSTRUCTIONS

STEP 4

If a Modesty Panel is to be fitted, screw the Minifix Bolts (14) into the Top. Place the Spacers (19) over the Bolts.

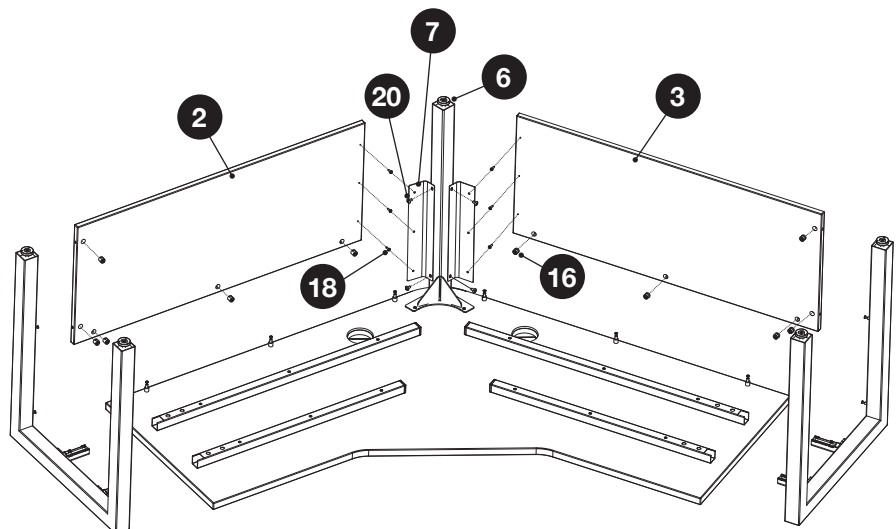


STEP 5

If a Modesty Panel is fitted, place Cams (16) in the holes in the Modesty Panels (2) & (3). Ensure the arrow on the Cam points towards the edge of the panel.

Carefully place the Modesty Panel over the Bolts/Spacers in the Top.

Attach Leg Bracket (7) to Centre Back Leg (6) using screws (20). Attach the Leg Brackets to the Modesty Panels with Screws (18).

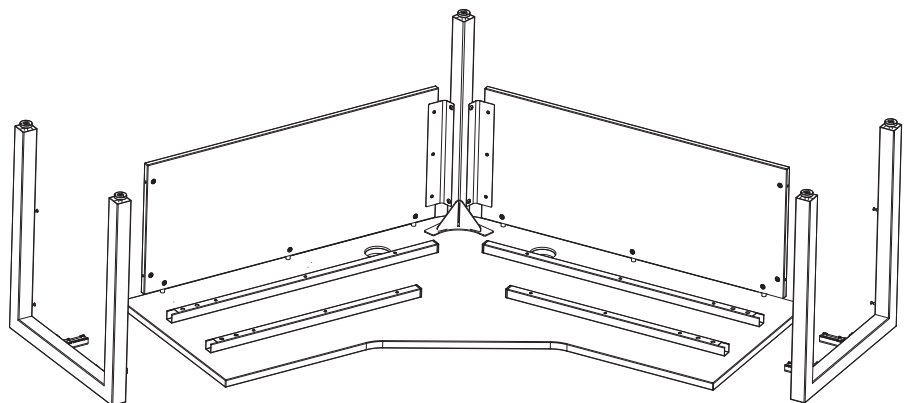


STEP 6

Slide the brackets on the Legs into the open notched ends of the Rails screwed to the Top.

If a Modesty Panel is attached, ensure that the Bolts in the Leg are aligned with the appropriate holes in the Modesty Panel.

Lock the Cams with just over half a turn.



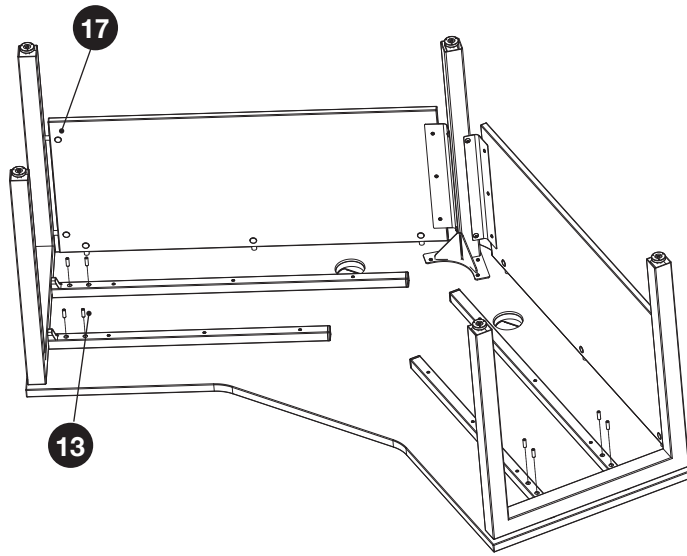
ASSEMBLY INSTRUCTIONS

STEP 7

Screw the Grub Screws (**13**) into the Expander Plate through the hole in the Rail.

Tighten the Grub Screws until the Expander Plate is pushed tight to the inside of the Rail.

Fit the Cam Cover Caps (**17**).

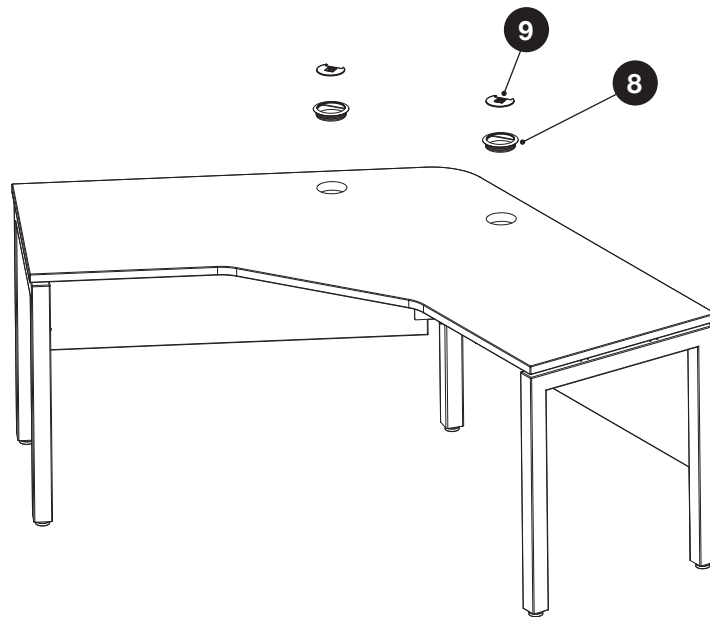


STEP 8

Carefully turn the Desk upright.

Fit the Cable Ports (**8**) and Covers (**9**).

Adjust the Feet to level the Desk.



CARE AND MAINTENANCE

Clean using a damp cloth and mild detergent – do not use abrasive cleaners or bleach.