

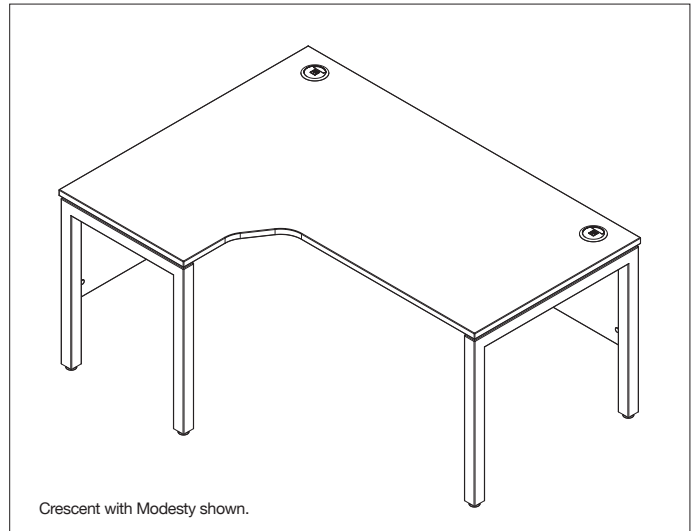




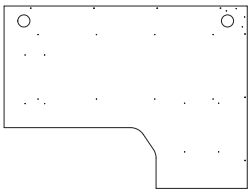
ASSEMBLY INSTRUCTIONS

RANGE	Duty, Crescent with or without Modesty.	
REF:	1600mm, 1800mm	
	 Read this leaflet before assembly	 2 People Required



Crescent with Modesty shown.

COMPONENT PARTS



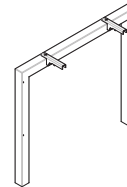
Item 1
Crescent Top Panel
Qty 1



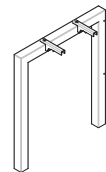
Item 2 *
Modesty Panel
Qty 1



Item 3 *
Short Modesty Panel
Qty 1



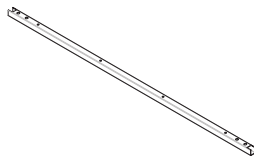
Item 4
GoalPost Frame RH
Qty 1



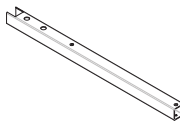
Item 5
GoalPost Frame LH
Qty 1




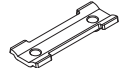
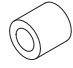
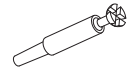


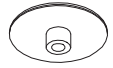

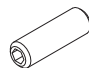
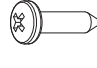

Item 6
Back Coner Leg
Qty 1



Item 7
Rail
Qty 2



Item 8
Short Rail
Qty 2

						
Item 9 & 10 Cable Port Qty 4 A/0525 & A/0527	Item 12 Expander Plate Qty 4 A/1164	Item 13 * Modesty Panel Spacer Qty 15 R/0071	Item 14 * Minifix Bolt Chipfast 34 x 15 Qty 7 F/0508	Item 15 * Minifix M6 Qty 8 F/0433	Item 16 * Minifix Alloy Cams 18mm Qty 15 F/0434	Item 17 * Cam Cover Qty 15 F/0436 F/0446 F/0545 F/0575 F/0576 F/0577
						
Item 18 Rail Screw Qty 12 F/0587	Item 19 Grub Screws M8 Qty 8 F/0637	Item 20 5/8" x 8g Pan Pozzi BZP Qty 4 F/0414	Item 21 5mm Hole Plugs Qty 8 A/0518, A/0763, F/0546			

* Desk with Modesty Panel only.

TOOLS REQUIRED

- Pozi head screwdriver
- 4mm Allen Key

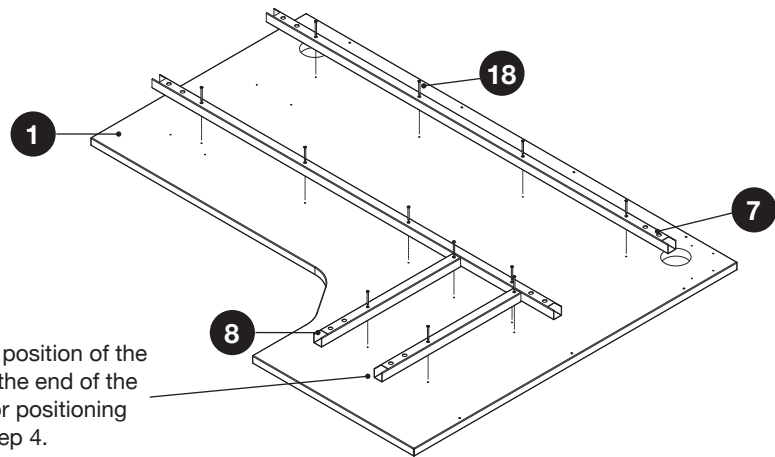
BEFORE YOU BEGIN...

- Check you have all the tools and components required
- Keep children and animals away from small parts
- Ensure you have adequate space
- Assemble product on a flat, clean surface
- Apply manual handling guidelines when building this item

ASSEMBLY INSTRUCTIONS

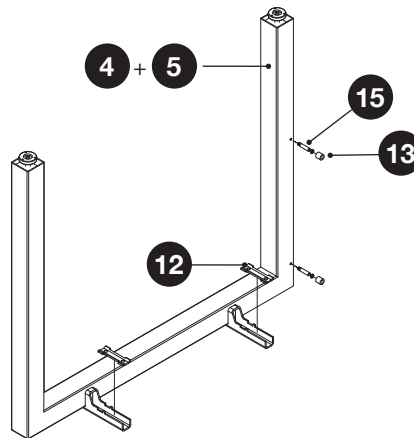
STEP 1

Lay the Top **(1)** upside down on a flat, soft surface. Ensure all holes are free of debris. Screw the Rails **(7)** & **(8)** onto the Top with Screws **(18)**.



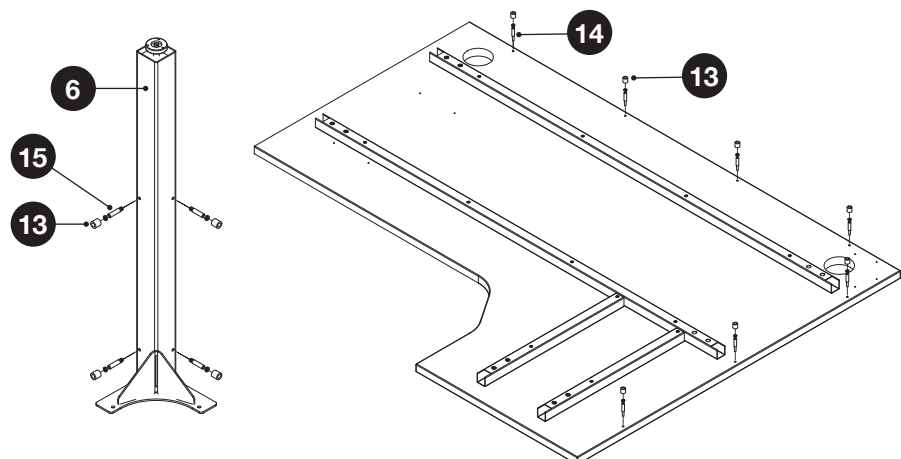
STEP 2

Prepare the “goalpost” Leg **(4,5)** by placing the Expander Plates **(12)** into the brackets. If the desk is to have a Modesty Panel, screw the Minifix bolts **(15)** into the holes in the Legs. Place the Spacers **(13)** over the Bolts. If no Modesty Panel is to be fitted, fill the holes with the 5mm Hole Plugs **(21)**.



STEP 3

If a Modesty Panel is to be fitted, screw the Minifix Bolts **(15)** into the holes in the Back Corner Leg **(6)**. Place the Spacers **(13)** over the Bolts. Screw the Minifix Bolts **(14)** into the Top. Place the Spacers **(13)** over the Bolts.



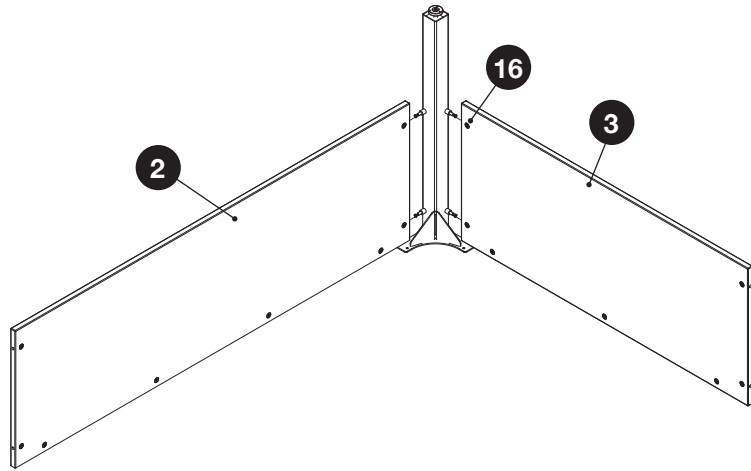
ASSEMBLY INSTRUCTIONS

STEP 4

If a modesty panel is to be fitted, place Cams **(16)** in the holes in the Modesty Panels **(2)** & **(3)**.

Ensure the arrow on the Cam points to the edge of the panel.

Fit the Modesty Panels onto the Bolts/Spacers in the Leg and lock the Cams with just over a half turn.

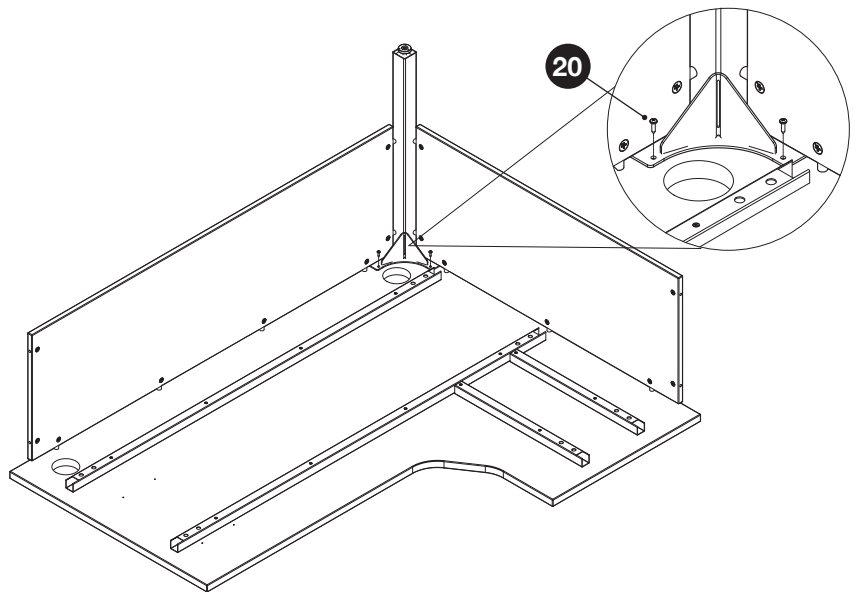


STEP 5

Carefully place the assembled Leg/Modesty Panels onto the Bolts/Spacers in the Top.

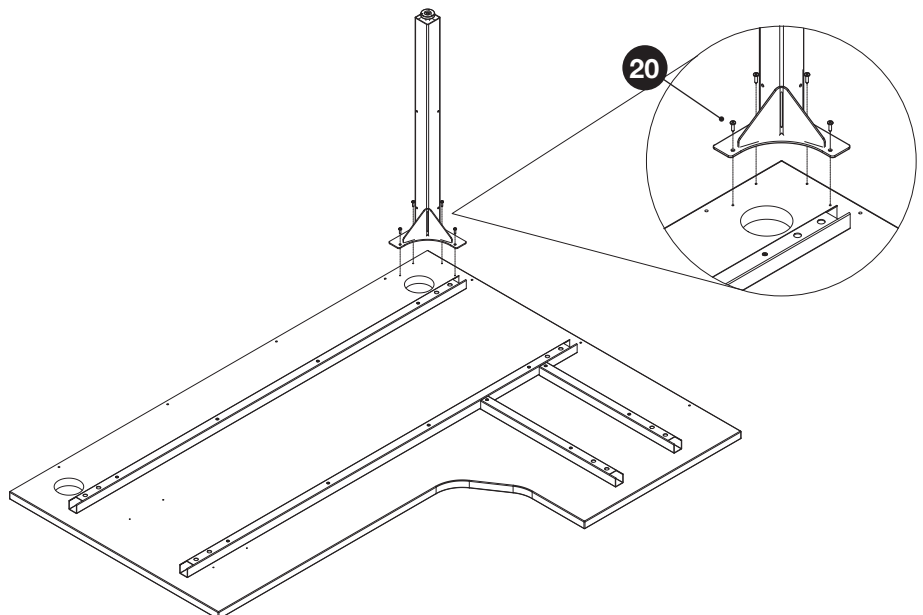
Lock the Cams with just over half a turn.

Screw the Leg to the Top with Screws **(20)**, only using the two accessible screw holes.



STEP 6

If no Modesty Panel is to be fitted, screw the Leg to the Top with Screws **(20)**, using all 4 holes to attach the Leg.



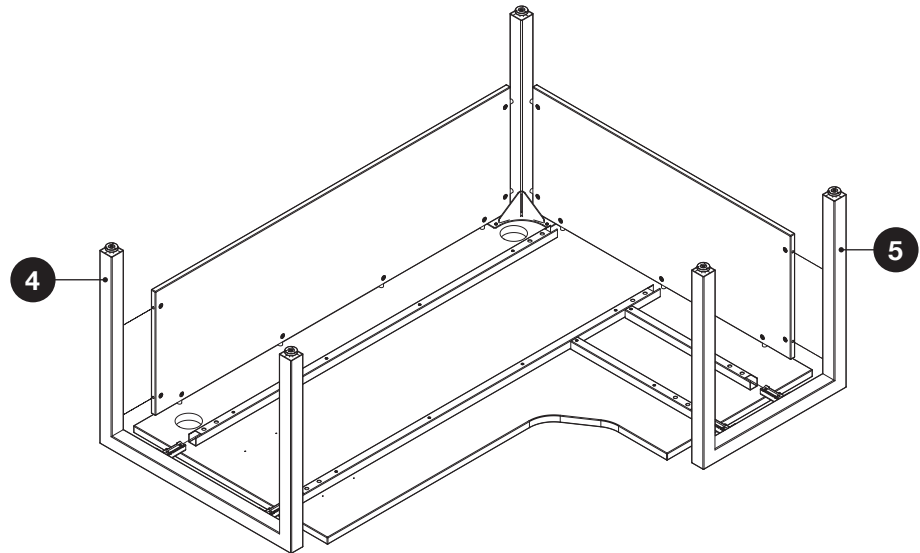
ASSEMBLY INSTRUCTIONS

STEP 7

Slide the brackets on the Legs **(4,5)** into the open notched ends of the Rails screwed to the Top.

If a Modesty Panel is attached, ensure that the Bolts in the Leg are aligned with the appropriate holes in the Modesty Panel.

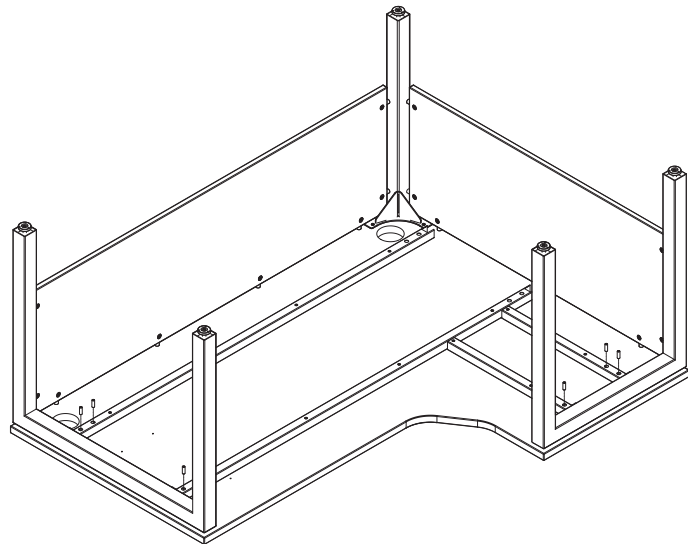
Lock the Cams with just over half a turn.



STEP 8

Screw the Grub Screws **(19)** into the Expander Plate through the hole in the Rail.

Tighten the Grub Screws until the Expander Plate is pushed tight to the inside of the Rail.



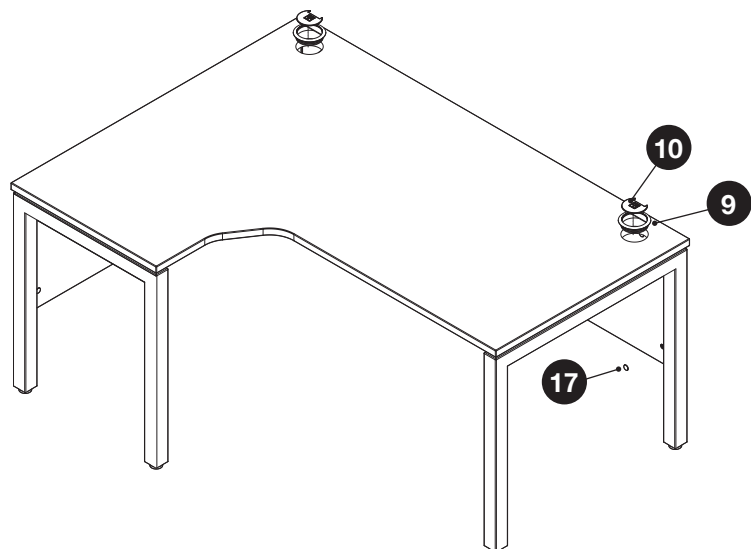
STEP 9

Carefully turn the Desk upright.

Fit the Cable Ports **(9)** and Covers **(10)**.

Adjust the Feet to level the Desk.

Fit the Cam Cover Caps **(17)**



CARE AND MAINTENANCE

Clean using a damp cloth and mild detergent – do not use abrasive cleaners or bleach.