

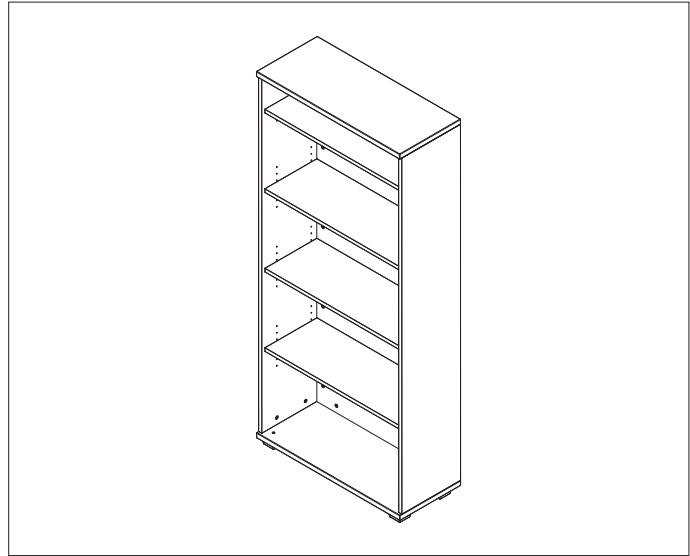


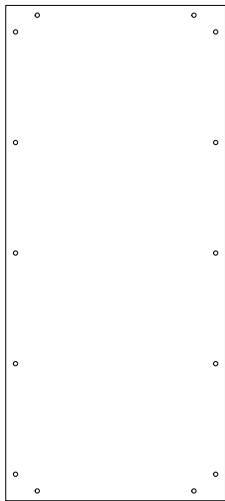


ASSEMBLY INSTRUCTIONS

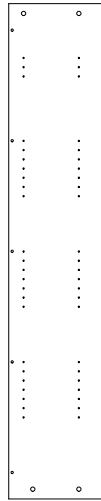
RANGE	Signature Storage, Bookcases.	
REF:	740mm High, 1000mm High, 1200mm High, 1600mm High, 1800mm High and 2000mm High 800mm and 1000mm Wide	
	 Read this leaflet before assembly	 2 People Required



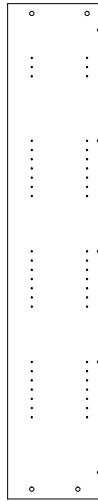
COMPONENT PARTS



Item 1
STO1_658
Back Panel
Qty 1



Item 2
STO1_726
LH Side Panel
Qty 1



Item 3
STO1_727
RH Side Panel
Qty 1








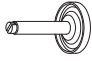



Item 4
STO1_710
Top Panel
Qty 1



Item 5
STO1_709
Bottom Panel
Qty 1



Item 6
STO1_737
Shelf
Qty, (See Table 01)

 Item 8 F.0629 Rapid Dowel (Blue) Qty, (See Table 1)	 Item 9 F.0630 Rastex Cam Qty, (See Table 1)	 Item 10 F.0431 Wood Dowel Qty 6	 Item 11 F.0436, F.0446, F.0545 F.0575, F.0576, F.0577 Cam Cover Qty, (See Table 1)	 Item 12 A.1805 J Insert Nut Qty 2	 Item 13 A.1804 Leveller Screw Qty 2	 Item 14 F.0564 Shelf Support Qty, (See Table 1)
 Item 15 F.0475 3/4"x10g Pan Pozzi BZP Qty 8	 Item 16 F.0492 16mm Euro Screw Qty, (See Table 1)					

COMPONENT PART QUANTITIES FOR UNIT SIZE VARIATIONS (TABLE 1)

ITEM	W800 x H740 mm	W1000 x H740 mm	W800 x H1000mm	W1000 x H1000 mm	W 800 x H 1200 mm	W1000 x H1200 mm
6	1	1	1	1	2	2
14	4	5	4	5	8	10
16	4	5	4	5	8	10
8	18	20	20	22	20	22
9	18	20	20	22	20	22
11	18	20	20	22	20	22

ITEM	W800 x H1600 mm	W1000 x H1600 mm	W800 x H1800mm	W1000 x H1800 mm	W 800 x H 2000 mm	W1000 x H2000 mm
6	3	3	4	4	4	4
14	12	15	16	20	16	20
16	12	15	16	20	16	20
8	22	24	22	24	22	24
9	22	24	22	24	22	24
11	22	24	22	24	22	24

TOOLS REQUIRED

- Pozi head screwdriver
- Flat bladed screwdriver

BEFORE YOU BEGIN...

- Check you have all the tools and components required
- Keep children and animals away from small parts
- Ensure you have adequate space
- Assemble product on a flat, clean surface
- Apply manual handling guidelines when building this item

IMPORTANT

All units must be fixed to the wall for stability.

ASSEMBLY INSTRUCTIONS

STEP 1

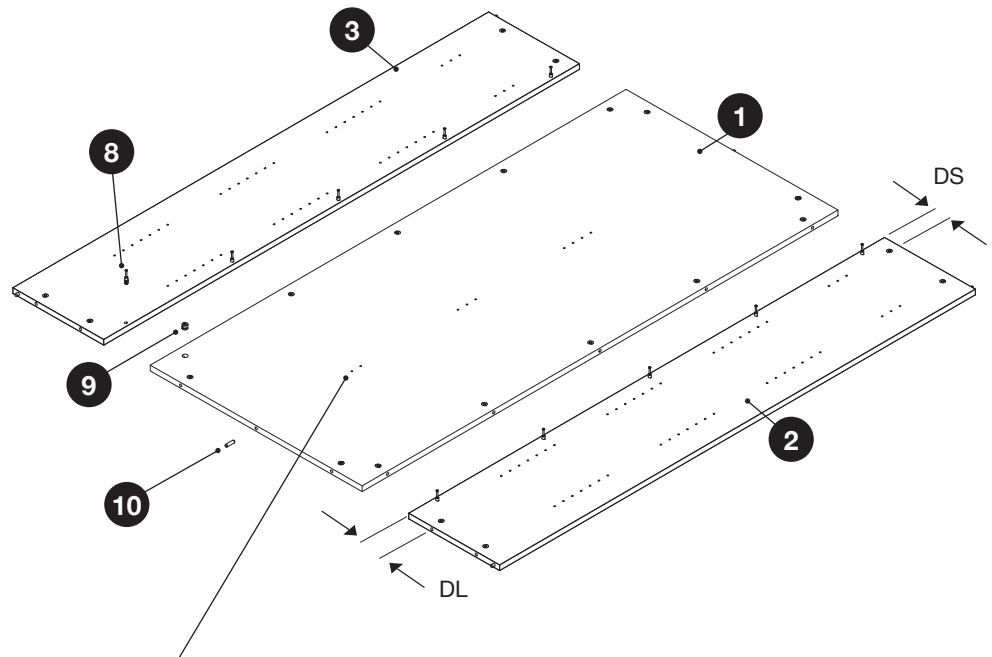
Lay the panels flat on a soft surface. Ensure the holes are free of debris.

In the back panel (1) insert the appropriate number of Cams (9) and Wooden Dowels (10).

Ensure the arrow on the Cams points towards the edge of the panel.

In both the Sides push in the appropriate number of Spreading Dowels (8) and wooden dowels.

On the Side panels, the larger gap between the Cam hole and the back edge (DL) is at the bottom.



If the unit is 1000mm wide, the 2 holes in the back panel need to be at the bottom of the bookcase.

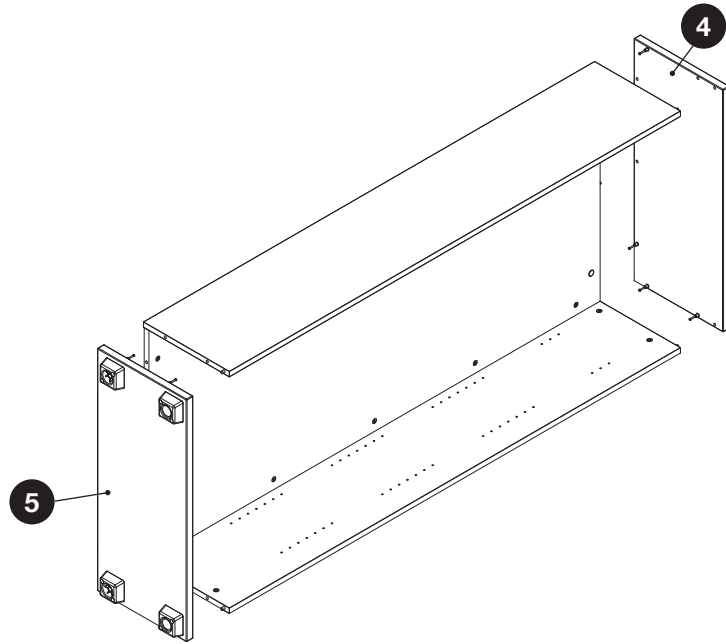
ASSEMBLY INSTRUCTIONS

STEP 2

In the Top **(4)** and Base **(5)** push in the appropriate number of Spreading Dowels.

Attach the Top and Base to the Back/Sides. Lock the Cams with a half-turn.

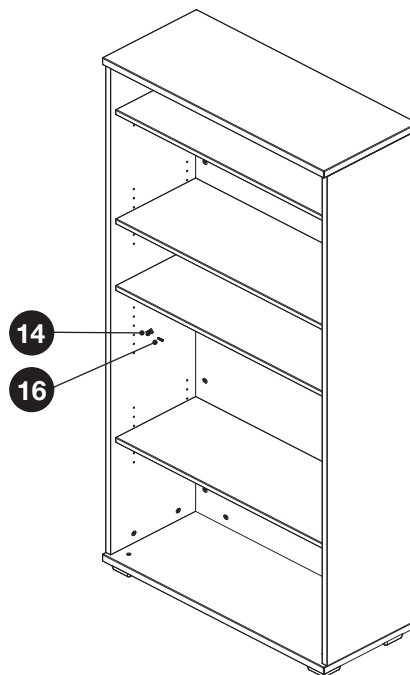
Fit Cam Cover Caps **(11)** to the Cams.



STEP 3

Decide where the Shelves are to be fitted and identify the holes in the Sides (and Back if the unit is 1000mm wide). Using Screw **(16)** fit the Shelf Support **(14)** to the Side (& Back). Lay the Shelf **(6)** on the Supports.

The Bookcase can be adjusted for levelling by turning the screw head in the front corner of the Base panel. There may be a Cover Cap which will need to be removed to access the screw head.



CARE AND MAINTENANCE

Clean using a damp cloth and mild detergent – do not use abrasive cleaners or bleach.