
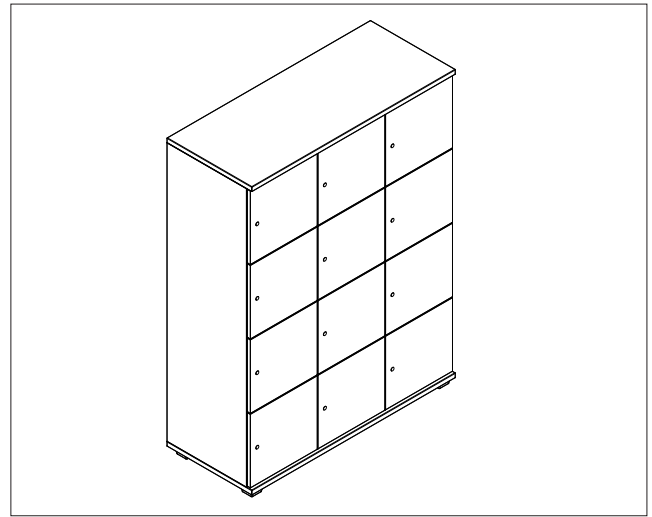




ASSEMBLY INSTRUCTIONS

RANGE	Liberty Lockers – Hinge adjustment	
REF:	840mm, 1220mm, 1600mm high and 400mm, 800mm and 1200mm wide	
		Read this leaflet before assembly



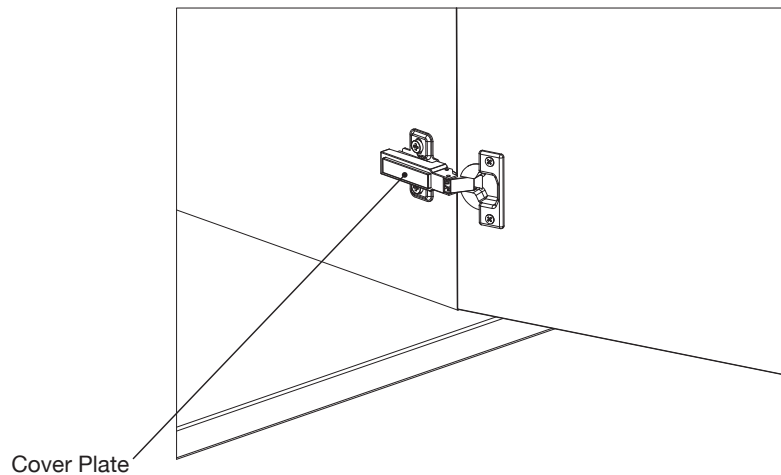
IMPORTANT

1600mm units must be fixed to the wall or another locker for stability.

ASSEMBLY INSTRUCTIONS

STEP 1

Remove the hinge Cover Plate. You can now access the hinge adjustment screws on the hinge.

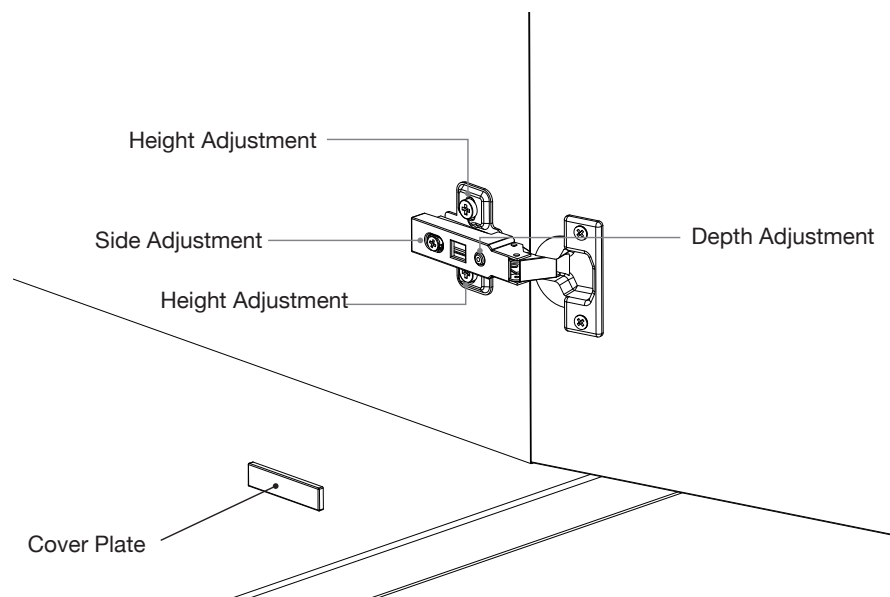


STEP 2

The height of the doors can be adjusted using the screws on the mounting plate.

The sideways position can be adjusted using the innermost screw on the hinge.

The depth can be adjusted using the outer screw on the hinge.



CARE AND MAINTENANCE

Clean using a damp cloth and mild detergent – do not use abrasive cleaners or bleach.