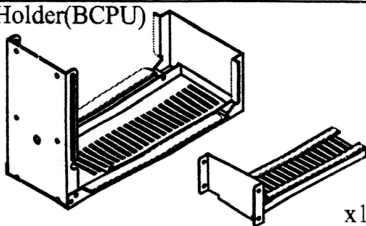
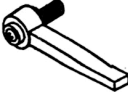





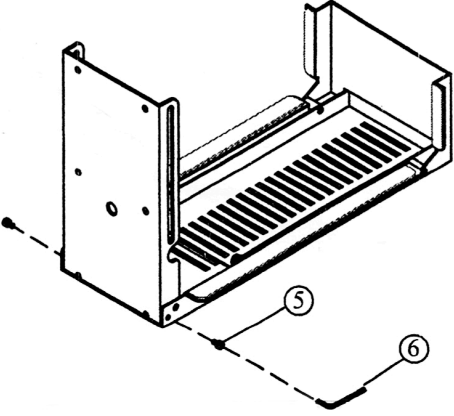
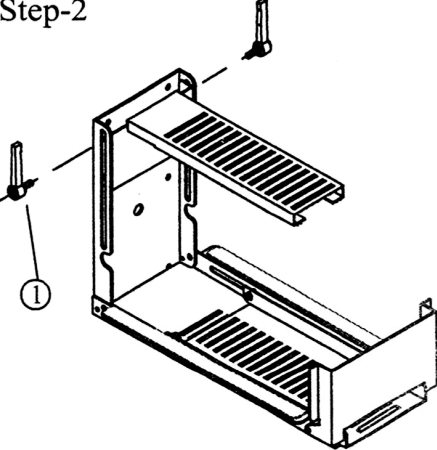
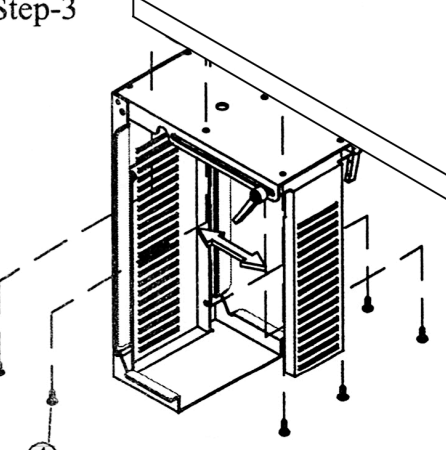
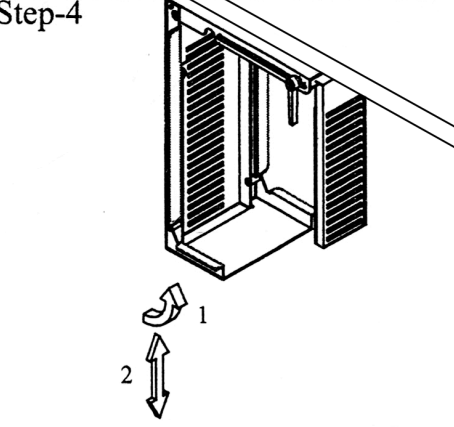
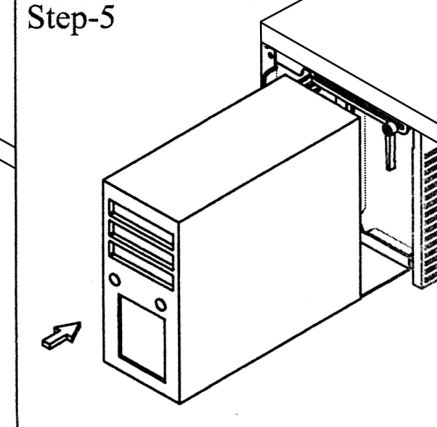
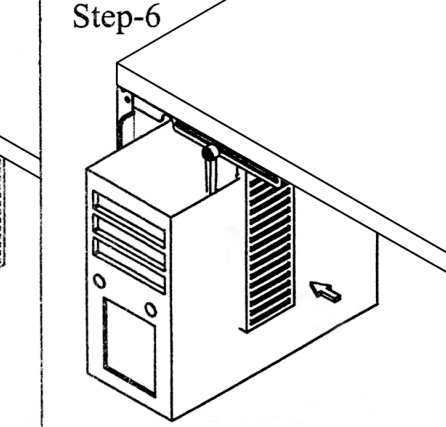
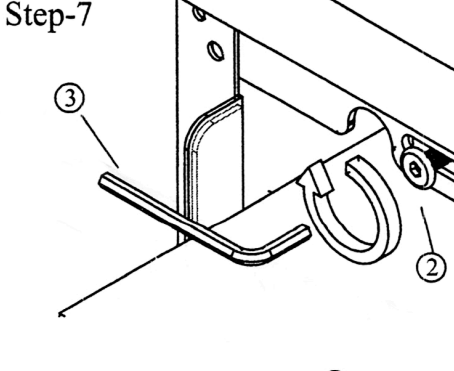
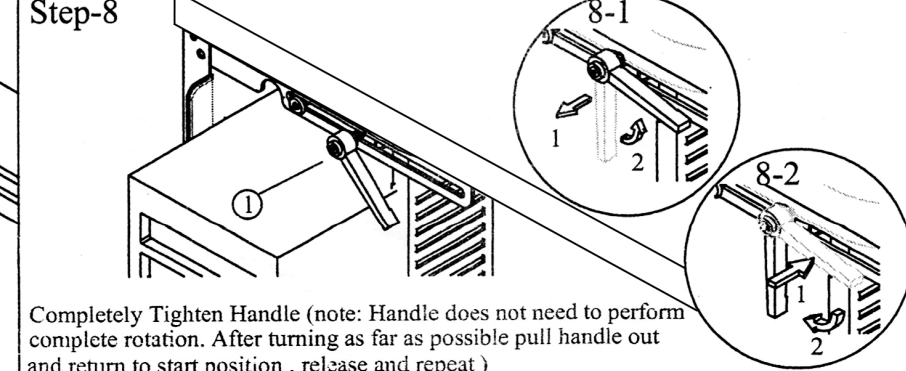




<p>CPU Holder(BCPU)</p>  <p>x1</p>	<p>1.handle</p>  <p>x2</p>	<p>2.socket head cap screw</p>  <p>x2</p>	<p>3.allen key(4mm)</p>  <p>x1</p>	<p>4.wood screw</p>  <p>x6</p>	<p>5.socket head cap screw</p>  <p>x2</p>	<p>6.allen key (3mm)</p>  <p>x1</p>
---	---	--	--	---	--	--

Assembly Diagram

IF USING THE LOCKING SET WITH THIS PRODUCT PLEASE FOLLOW INSTRUCTIONS SUPPLIED WITH THE LOCKING SET AFTER STEP 4

<p>Step-1</p>  <p>Fold out mounting plate and secure with two socket head screws (5) provided.</p>	<p>Step-2</p>  <p>Insert Side Bar and Tighten Handles (1) provided - ensure these are not too tight and adjustment can still be made.</p>	<p>Step-3</p>  <p>Secure to underside of desk using 6 wood screws (4) provided.</p>
<p>Step-4</p>  <p>Fold down Foot and Lift out, slide rack to required position and secure on hook to adjust height.</p>	<p>Step-5</p>  <p>Place CPU on foot.</p>	<p>Step-6</p>  <p>Adjust retaining arm and slide to provide firm grip on CPU.</p>
<p>Step-7</p>  <p>Tighten Socket head Cap screw (2)</p>	<p>Step-8</p>  <p>Completely Tighten Handle (note: Handle does not need to perform complete rotation. After turning as far as possible pull handle out and return to start position, release and repeat) NOTE: You can also Pull Handle out and tighten Screw with screwdriver (not provided)</p>	

Please note: Illustration is for a left hand side application, if right hand is required please turn the CPU holder around as appropriate.